



■ Features

- Charger for lithium batteries (Li-ion,LiFePO4and lithium manganese) and Lead-Acid batteries
- Built- in 4 stage charging curve(For Lithium batteries) and 3 stage charging curve(For Lead-Acid batteries)
- Universal AC input / Full range(90-264V~)
- Built- in active PFC function
- Protection: Short circuit / Over voltage /Over temperature /Battery over voltage / Battery reverse polarity protection
- 1 years warranty

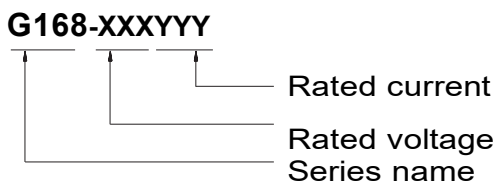
■ Applications

- Radio system backup solution
- Electric scooter charger
- Surveillance system
- Electric motorcycle\Electric sweeper

■ Description

G168 is a single output 168W AC/DC desktop type charger with 4 and 3 stage charging curve, suitable for lithium battery (lithium ion, lithium iron phosphate, lithium manganese) and lead-acid battery (colloid battery, liquid battery, AGM battery). When charging, the LED can indicate the battery capacity when charging.

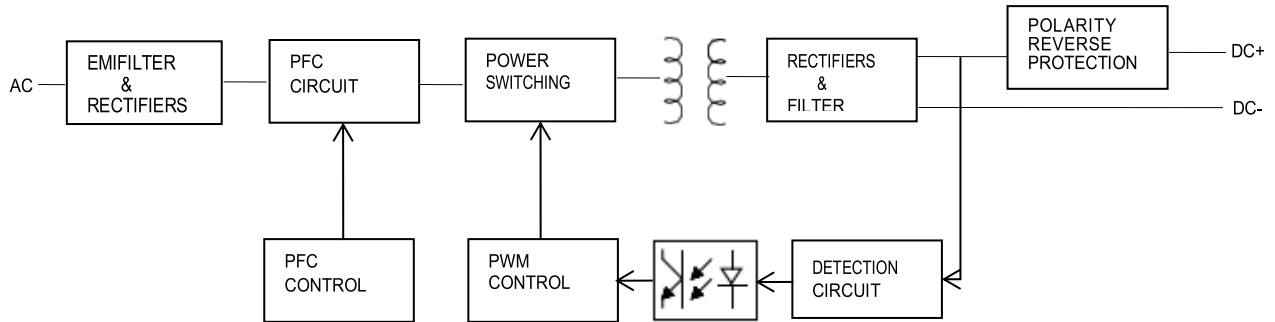
■ Mode Encoding



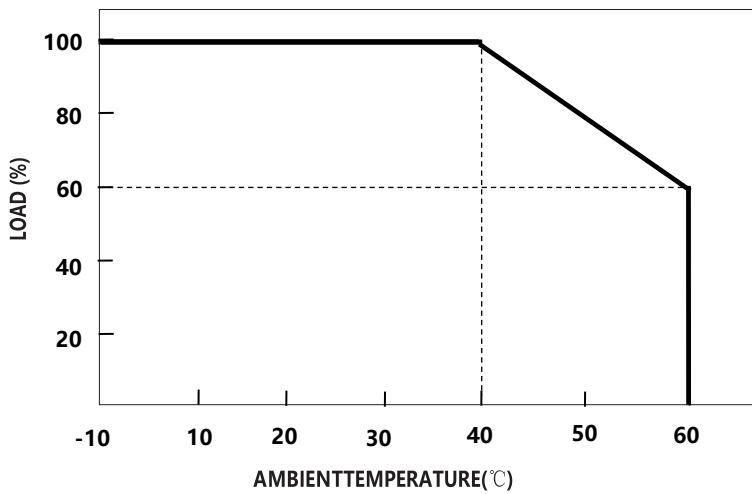
SPECIFICATION(Li-ion battery charger)

MODEL		G168-126130	G168-168100	G168-294057	G168-420040	G168-546030	
OUTPUT	Charge voltage	12.6V±1%	16.8V±1%	29.4V±1%	42.0V±1%	54.6V±1%	
	Charge voltage range	7.5-12.6V	10.0-16.8V	17.5-29.4V	25.0-42.0V	32.5-54.6V	
	Charge current	13.0A±7%	10.0A±7%	5.7A±7%	4.0A±7%	3.0A±7%	
	Pre-charge current	2.6A±7%	2A±7%	1.14A±7%	0.8A±7%	0.6A±7%	
	Charge-end current	≤1.3A ±10%	≤1A ±10%	≤0.57A ±10%	≤0.4A ±10%	≤0.3A ±10%	
	Rated power	163.8W	168W	167.58W	168W	163.8W	
	Recommended battery capacity Note.3	30 - 100Ah	20 - 100Ah	10 - 50Ah	8 - 40Ah	6 - 30Ah	
	Leakage current from battery (Typ.)	≤1mA					
CHARGING LED	Red LED flashing	2Hz Error					
	Green LED flashing	Idle					
	Red LED on	Charging					
	Green LED on	Full charged					
INPUT	Rated input voltage	100 - 240VAC 50 / 60Hz					
	Input voltage range Note.4	90 - 264VAC					
	Power factor (Typ.)	PF>0.98@Full load, Input:115VAC ; PF>0.94 @Full load, Input:230VAC					
	Input current (Typ.)	2.2A@100VAC					
	Inrush current (Typ.)	75A/230VAC (cold start)					
	Standby input power	<1W					
	Efficiency (Typ.)	94%	94%	94%	94%	94%	
PROTECTION	Short circuit Note.5	Protection type : Shut down output					
	Over voltage	Protection type : Shut down output					
	Reverse polarity	Protection type : Shut down output					
	Over temperature	-					
ENVIRONMENT	Working temperature	-10 - +40℃ (Refer to " Derating Curve")					
	Working humidity	0 - 90% RH					
	Storage temperature, humidity	-40 - +70℃, 0- 95% RH					
	Cooling	Natural convection					
	Vibration resistance	10-50Hz,2G10min.1cycle,60min.eachalongX,Y,Zaxes					
SAFETY&EMC (Note.6)	Max. temperature rise	< 40℃ on casing					
	Hi-Pot Insulation	i/p to o/p: 3000V (1 min)					
	Safety approval	CE/PSE/SA/FCC/CCC/cTUVus/CB/BS					
	EMC Emission	Parameter	Standard			Test Level I Note	
		Conducted	EN55032 FCC PART15			Class B	
		Radiated	EN55032 FCC PART15			Class B	
		Harmonic Current	EN61000-3-2			
Voltage Flicker	EN61000-3-3					
EMC IMMUNITY	EN61000-4-2, EN61000-4-3, EN61000-4-4, EN61000-4-5, EN61000-4-6, EN61000-4-8, EN61000-4-11						
OTHERS	MTBF	30000H					
	Dimension	175*72*40mm (L*W*H)					
	Weight	680g					
NOTE	<p>1.Modification for charger specification may be required for different battery specification. Please contact battery vendor and Green digital power for details.</p> <p>2.All parameters NOT specially mentioned are measured at 230VAC input, rated load and 25℃ of ambient temperature.</p> <p>3.This is Green suggested range. Please consult your battery manufacturer for their suggestions about maximum charging current limitation.</p> <p>4.Derating may be needed under low input voltages. Please check the derating curve for more details.</p> <p>5.This protection mechanism is specified for the case the short circuit occurs after the charger is turned on.</p> <p>6.The battery charger is considered as an independent unit, but the final equipment still need to re-confirm that the whole system complies with the EMC directives.</p>						

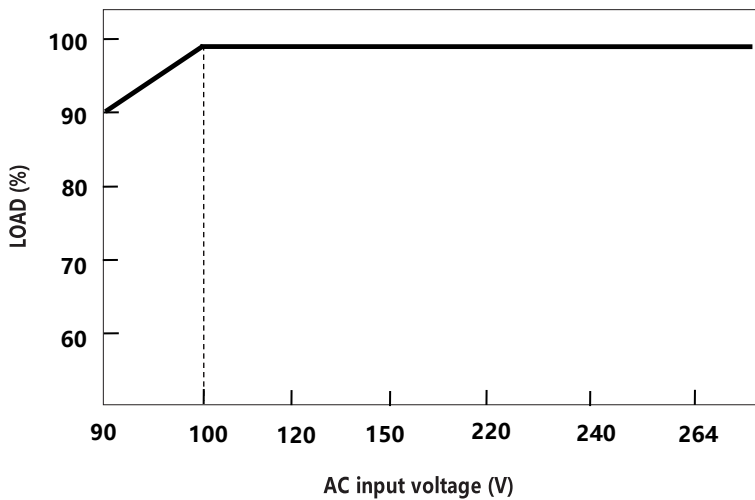
■ Block Diagram



■ Derating Curve

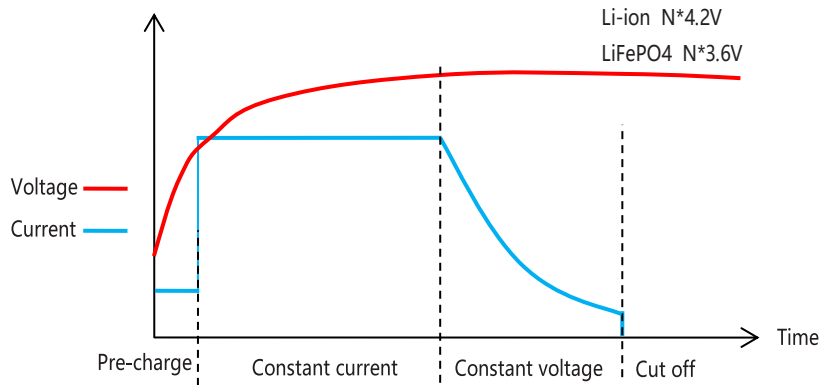


■ Static Characteristics

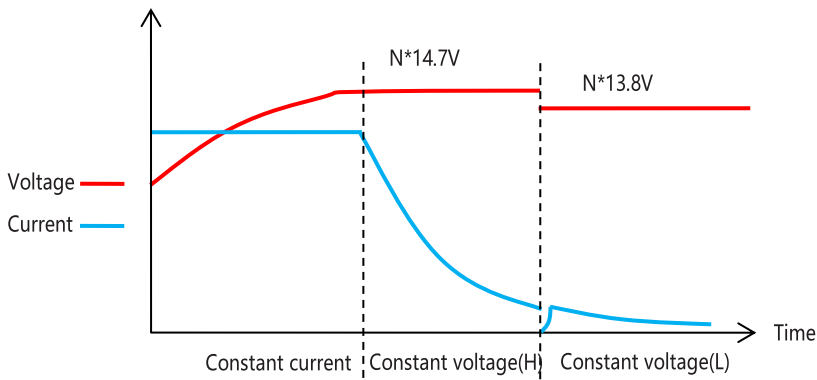


■ **Charging Curve**

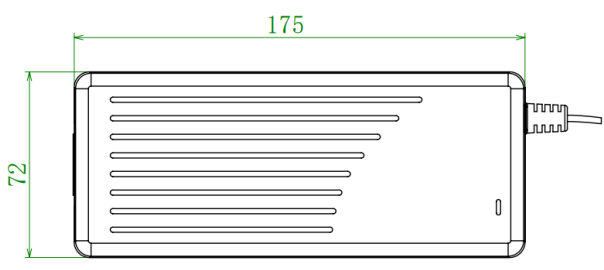
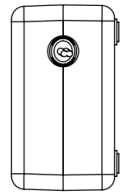
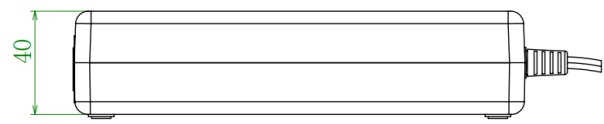
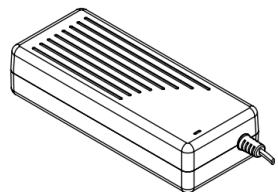



© 4stage charging curve(Li-ion battery charger)



© 3stage charging curve(Lead-Acid battery charger)



■ Mechanical specification

	1	2	3	4	5	6	7	8	9	10																																																													
A							CUSTOMER REV	REV	ZONE	DESCRIPTION	CHA BY/DATE	APP BY/DATE																																																											
B																																																																							
C																																																																							
D																																																																							
E																																																																							
F																																																																							
G																																																																							
H							<table border="1" style="width: 100%; border-collapse: collapse;"> <tr> <td colspan="10" style="text-align: center;">Shenzhen Green Digital Power Tech CO.,LTD</td> </tr> <tr> <td colspan="5">TITLE:</td> <td colspan="5">MATL:</td> </tr> <tr> <td colspan="5">MODEL: G168W-XXXXXX</td> <td colspan="5">WEIGHT:</td> </tr> <tr> <td colspan="3">DES BY:</td> <td colspan="2">CAD FILE:</td> <td colspan="2">UNIT: mm</td> <td colspan="3">TEXTURE NO.</td> </tr> <tr> <td colspan="3">CHECK BY:</td> <td colspan="2">COL OR:</td> <td colspan="2">Paper Size: A4</td> <td colspan="3">SCALE: Fit</td> </tr> <tr> <td colspan="3">APP BY:</td> <td colspan="2">FINISH/TREATMENT:</td> <td colspan="2">  </td> <td colspan="3">DATE:</td> </tr> </table>					Shenzhen Green Digital Power Tech CO.,LTD										TITLE:					MATL:					MODEL: G168W-XXXXXX					WEIGHT:					DES BY:			CAD FILE:		UNIT: mm		TEXTURE NO.			CHECK BY:			COL OR:		Paper Size: A4		SCALE: Fit			APP BY:			FINISH/TREATMENT:				DATE:		
Shenzhen Green Digital Power Tech CO.,LTD																																																																							
TITLE:					MATL:																																																																		
MODEL: G168W-XXXXXX					WEIGHT:																																																																		
DES BY:			CAD FILE:		UNIT: mm		TEXTURE NO.																																																																
CHECK BY:			COL OR:		Paper Size: A4		SCALE: Fit																																																																
APP BY:			FINISH/TREATMENT:				DATE:																																																																
1	2	3	4	5	6	7	8	9	10	H																																																													