



■ Features

- Charger for lithium batteries (Li-ion,LiFePO4and lithium manganese) and Lead-Acid batteries
- Built- in 4 stage charging curve(For Lithium batteries) and 3 stage charging curve(For Lead-Acid batteries)
- Universal AC input / Full range(90-264V~)
- Built- in active PFC function
- Protection: Short circuit / Over voltage /Over temperature /Battery over voltage / Battery reverse polarity protection
- 1 years warranty

■ Applications

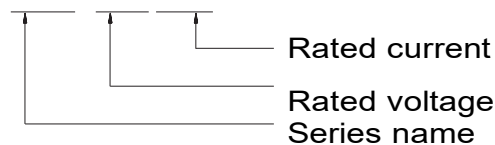
- Radio system backup solution
- Electric scooter charger
- Surveillance system
- Electric motorcycle\Electric sweeper

■ Description

G168 is a single output 168W AC/DC desktop type charger with 4 and 3 stage charging curve, suitable for lithium battery (lithium ion, lithium iron phosphate, lithium manganese) and lead-acid battery (colloid battery, liquid battery, AGM battery). When charging, the LED can indicate the battery capacity when charging.

■ Mode Encoding

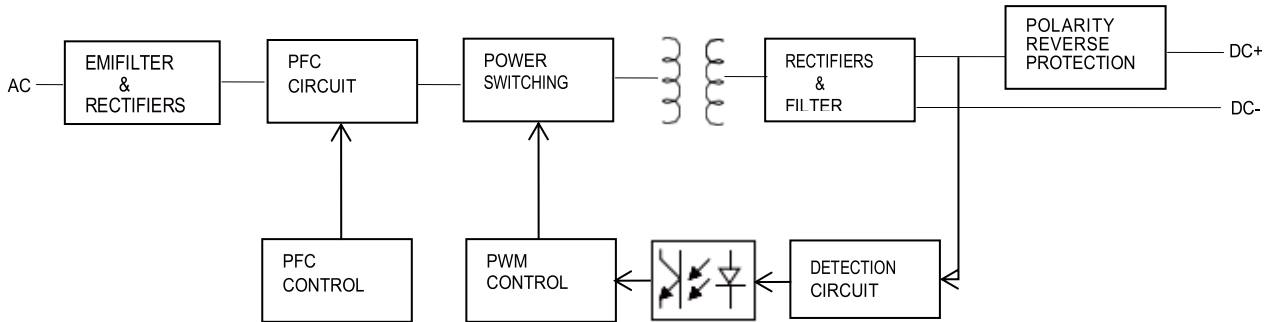
G168-XXXYYY



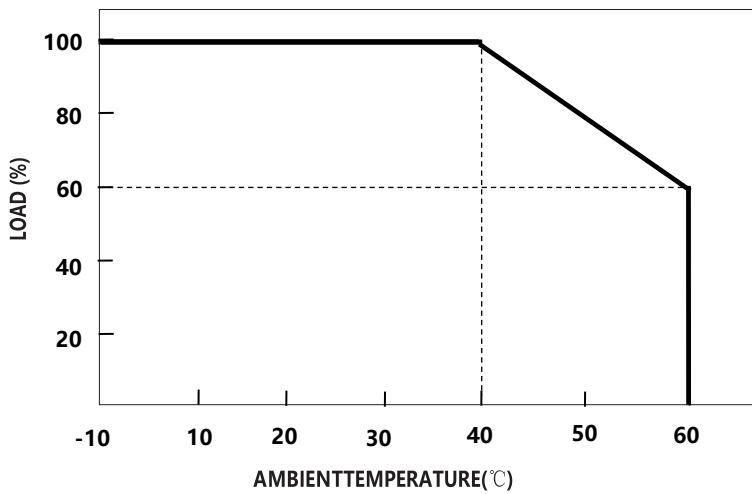
SPECIFICATION(Li-Fe battery charger)

MODEL		G168-144110	G168-288057	G168-360045	G168-432038	G168-576029	
OUTPUT	Charge voltage	14.4V±1%	28.8V±1%	36.0V±1%	43.2V±1%	57.6V±1%	
	Charge voltage range	10.0-14.4V	20.0-28.8V	25-36.0V	30-43.2V	40-57.6V	
	Charge current	11.0A±7%	5.7A±7%	4.5A±7%	3.8A±7%	2.9A±7%	
	Pre-charge current	2.2A±7%	1.14A±7%	0.9A±7%	0.76A±7%	0.58A±7%	
	Charge-end current	≤1.1A ±10%	≤0.57A ±10%	≤0.45A ±10%	≤0.38A ±10%	≤0.29A ±10%	
	Rated power	158.4W	164.16W	162W	164.16W	167.04W	
	Recommended battery capacity Note.3	30 - 100Ah	20 - 100Ah	10 - 50Ah	8 - 40Ah	6 - 30Ah	
	Leakage current from battery (Typ.)	≤1mA					
CHARGING LED	Red LED flashing	2Hz Error					
	Green LED flashing	Idle					
	Red LED on	Charging					
	Green LED on	Full charged					
INPUT	Rated input voltage	100 - 240VAC 50 / 60Hz					
	Input voltage range Note.4	90 - 264VAC					
	Power factor (Typ.)	PF>0.98@Full load, Input:115VAC ; PF>0.94 @Full load, Input:230VAC					
	Input current (Typ.)	2.2A@100VAC					
	Inrush current (Typ.)	75A/230VAC (cold start)					
	Standby input power	< 1W					
	Efficiency (Typ.)	94%	94%	94%	94%	94%	
PROTECTION	Short circuit Note.5	Protection type : Shut down output					
	Over voltage	Protection type : Shut down output					
	Reverse polarity	Protection type : Shut down output					
	Over temperature	-					
ENVIRONMENT	Working temperature	-10 - +40°C (Refer to " Derating Curve")					
	Working humidity	0 - 90% RH					
	Storage temperature, humidity	-40 - +70°C, 0- 95% RH					
	Cooling	Natural convection					
	Vibration resistance	10-50Hz,2G10min.1cycle,60min.eachalongX,Y,Zaxes					
SAFETY&EMC (Note.6)	Max. temperature rise	< 40°C on casing					
	Hi-Pot Insulation	i/p to o/p: 3000V (1 min)					
	Safety approval	CE/PSE/SAA/FCC/CCC/cTUVus/CB/BS					
	EMC Emission	Parameter	Standard			Test Level I Note	
		Conducted	EN55032 FCC PART15			Class B	
		Radiated	EN55032 FCC PART15			Class B	
		Harmonic Current	EN61000-3-2			
Voltage Flicker	EN61000-3-3					
EMC IMMUNITY	EN61000-4-2, EN61000-4-3, EN61000-4-4, EN61000-4-5, EN61000-4-6, EN61000-4-8, EN61000-4-11						
OTHERS	MTBF	30000H					
	Dimension	175*72*40mm (L*W*H)					
	Weight	680g					
NOTE	<p>1. Modification for charger specification may be required for different battery specification. Please contact battery vendor and Green digital power for details.</p> <p>2. All parameters NOT specially mentioned are measured at 230VAC input, rated load and 25°C of ambient temperature.</p> <p>3. This is Green suggested range. Please consult your battery manufacturer for their suggestions about maximum charging current limitation.</p> <p>4. Derating may be needed under low input voltages. Please check the derating curve for more details.</p> <p>5. This protection mechanism is specified for the case the short circuit occurs after the charger is turned on.</p> <p>6. The battery charger is considered as an independent unit, but the final equipment still need to re-confirm that the whole system complies with the EMC directives.</p>						

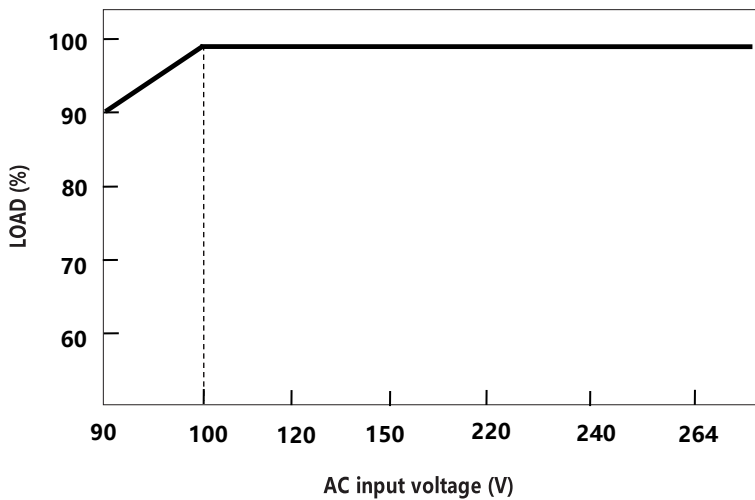
■ Block Diagram



■ Derating Curve

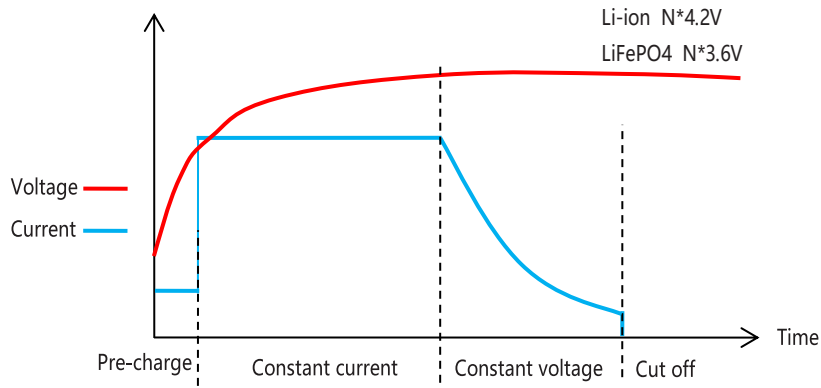


■ Static Characteristics

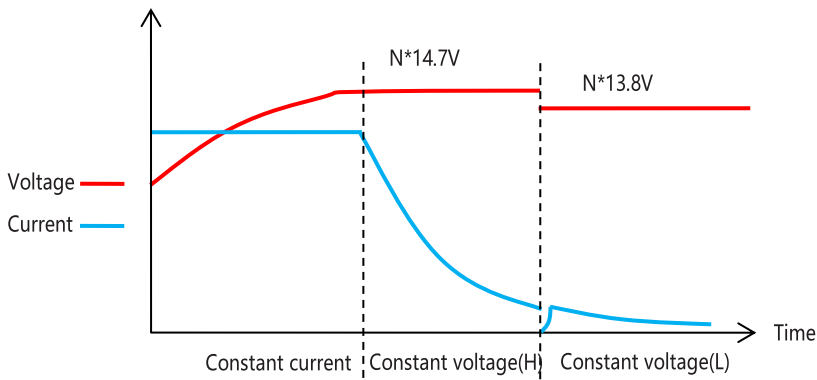


■ **Charging Curve**

© 4stage charging curve(Li-ion battery charger)



© 3stage charging curve(Lead-Acid battery charger)



■ Mechanical specification

