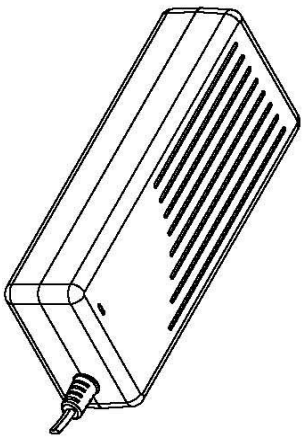
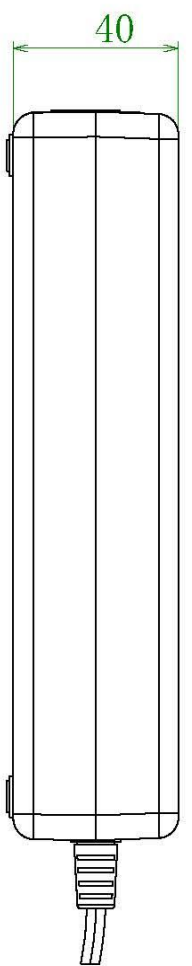
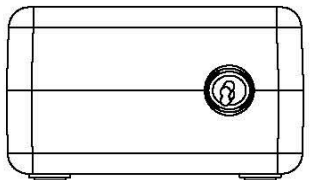
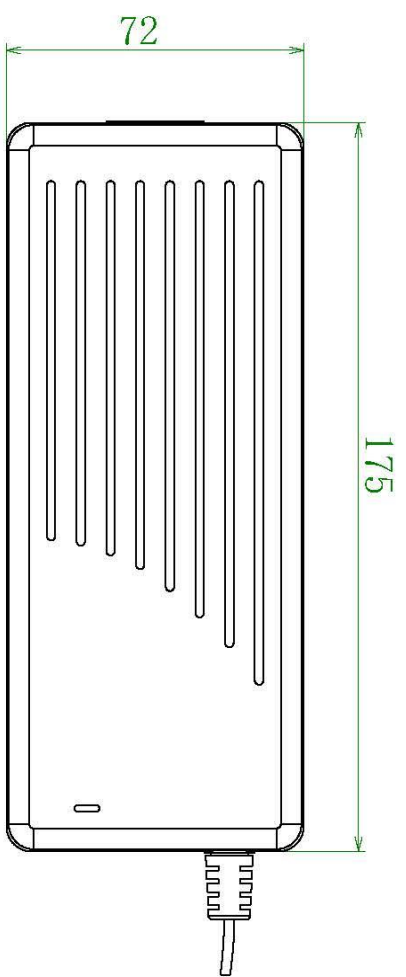


**G168-216070 (21.6V 7.0A) 6S Li-Fe Battery Charger**

Item	Specification	Remark
1.Input		
Rating input voltage	100~240Vac 50/60Hz	
Input voltage range	90~264Vac	
Rating input current	2.2Arms	Input:100V Output:Full load
Power factor	PF>0.98	Input:115VAC Output:Full load
	PF>0.94	Input:230VAC Output:Full load
Inrush current	75A/230VAC (cold start)	
Standby power	1W	Input:115VAC&230VAC
Max input power	183W	Input:100V Output:Full load
2.Output		
No load output voltage	DC21.6V ±1%	
Output voltage range	DC15.0~21.6V	
Suit with battery type	6S Li-Fe battery	
Charging current	7.0A ±7%	
Charging voltage	DC21.6V ±1%	
Pre-charge	1.54A ±7%	Voltage ≤18.0V Pre-charge
Charge-end current	≤0.77A±10%	
Timer	-	
Max output power	166.32W	
Ripple voltage	≤260mV	Full load
Charging LED	Red LED flashing	2Hz Error
	Green LED flashing	Idle
	Red LED on	Charging
	Green LED on	Full charged
Shorted	Yes	
Reversed	Yes	
Efficiency	≥93%	Full load @220V
3.Environment		
Operate temperature	-10 ~ +40°C	
Operate humidity	< +90%	Relative humidity
Storage temperature	-40 ~ +70°C	
Storage humidity	0 ~ +95%	Relative humidity
Cooling	Natural	
Vibration resistance	5MM/50HZ/600S	Non-operating condition
Impact resistance	1 meter drop test 3 times	Non-operating condition
4.Mechanical		
Weight	680g	
Size	175X72X40MM	Casing only
Connector	Refer to order	
5.Safety		
Max. temperature rise	< 40°C on casing	
Safety approval	CE/SAA/FCC/CCC/cTUVus/CB/BS	
MTBF	30000H	
ESD	8.0KV	
Hi-Pot Insulation	i/p to o/p: 3000V (1 min)	

CUSTOMER REV	REV	ZONE	DESCRIPTION	CHA BY/DATE	APP BY/DATE



Shenzhen Green Digital Power Tech CO., LTD

TITLE:

MODEL: G168W-XXXXXX

DES BY: CAD FILE:

CHECK BY: COLOR:

APP BY: FINISH/TREATMENT:

MATL:

WEIGHT:

TEXTURE NO.

SCALE: **Fit**

DATE:

PART NO.:	
CUSTOMER P/N:	

