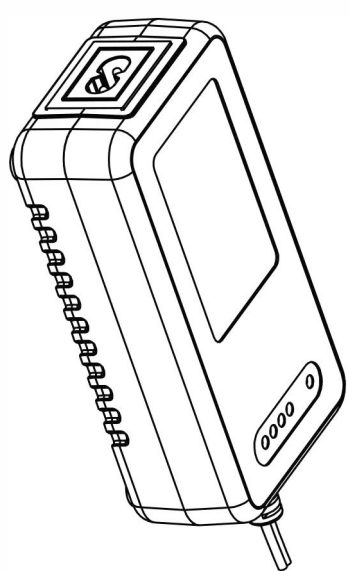
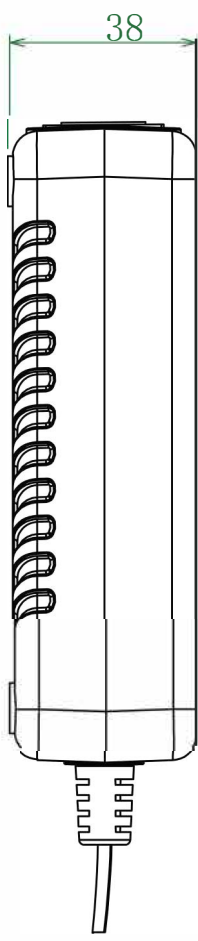
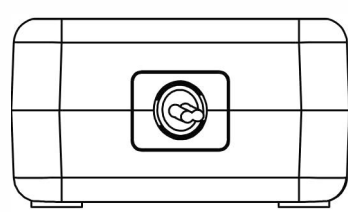
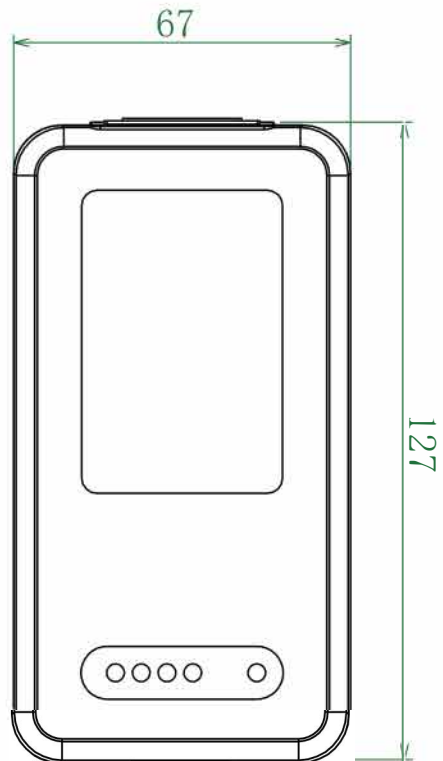


**G60-24L8 (33.6V 1.4A) 8S Li-ion Battery Charger**

Item	Specification	Remark
<b>1.Input</b>		
Rating input voltage	100~240Vac 50/60Hz	
Input voltage range	90~264Vac	
Rating input current	1.0Arms	Input:100V Output:Full load
Max input power	60W	Input:100V Output:Full load
<b>2.Output</b>		
No load output voltage	DC33.6V	
Output voltage range	DC20.0~33.6V	
Suit with battery type	8S Li-ion battery	
Charging current	1.4A ±10%	
Charging voltage	DC33.6V ±0.4V	
Pre-charge	0.45A±0.1A	Voltage≤24.0V Precharge
Charge-end current	<0.14A±10%	
Timer	-	
Max output power	47.04W	
Ripple voltage	<336mV	Full load
Power LED	Red	Power on
Charging LED	All off	No battery
	All on	Finished
	All flashing	Error
	Flashing one by one	Charging
Shorted	Yes	
Reversed	Yes	
Efficiency	≥85%	Full load @220V
<b>3.Environment</b>		
Operate temperature	-10 ~ +40°C	
Operate humidity	< +90%	Relative humidity
Storage temperature	-40 ~ +70°C	
Storage humidity	0 ~ +95%	Relative humidity
Cooling	Natural	
Vibration resistance	5MM/50HZ/600S	Non-operating condition
Impact resistance	1 meter drop test 3 times	Non-operating condition
<b>4.Mechanical</b>		
Weight	270g	
Size	120X67X41MM	Casing only
Connector	Refer to order	
<b>5.Safety</b>		
Max. temperature rise	< 40°C on casing	
Safety approval	CE/cTUVus/PSE/CCC	
MTBF	30000H	
ESD	8.0KV	
Hi-Pot Insulation	i/p to o/p: 3000V (1 min)	

CUSTOM	ERR/REV	REV	ZONE	DESCRIPTION	CHA BY/DATE	APP BY/DATE

TOLERANCE FOR INJECT PARTS	
A	± 0.10
B	± 0.15
C	± 0.20
D	± 0.25
E	± 0.30
F	± 0.35
G	± 0.40
H	± 0.45
I	± 0.50
J	± 0.60
K	± 0.70
L	± 0.80
M	± 0.90
N	± 1.00
O	± 1.10



Shenzhen Green Digital Power-Tech CO., LTD

TITLE:	MATE:	
MODEL:	G60W	
DES BY:	FILE	UNIT: MM
CHECK BY:	CAD FILE	SCALE
APP BY:	FINISH/TREATM ENT	DATE:
PART NO.:	CUSTOMER P/N	SCALE: 1:1