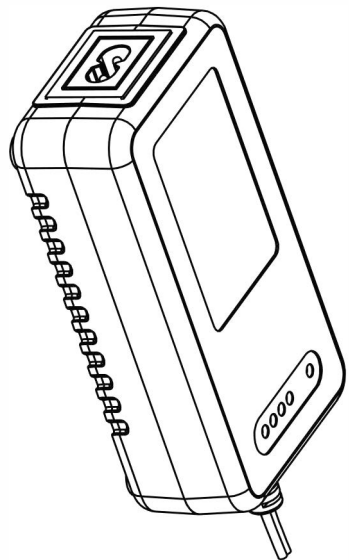
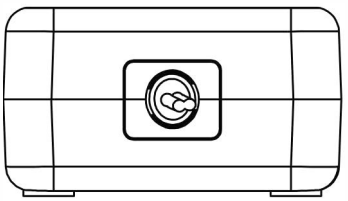
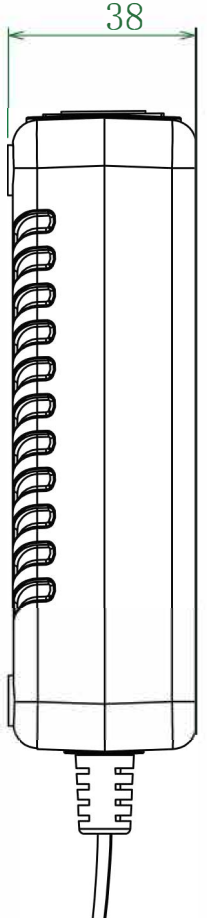
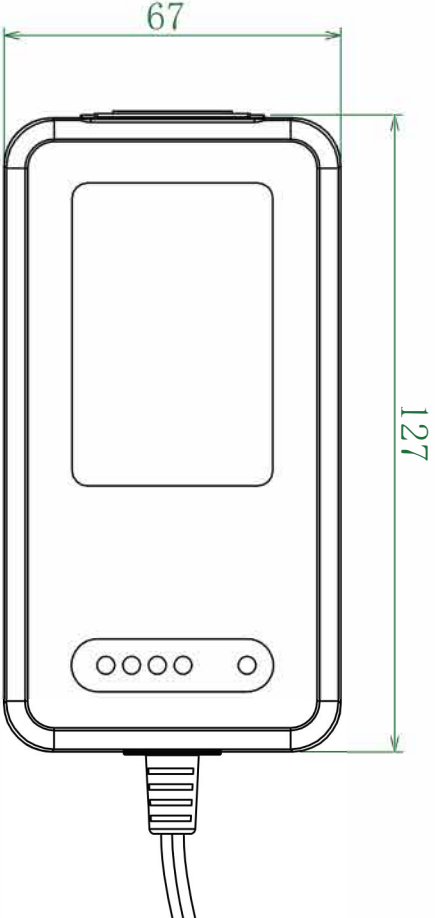


**G60-12L3 (12.6V 3.3A) 3S Li-ion Battery Charger**

Item	Specification	Remark
1.Input		
Rating input voltage	100~240Vac 50/60Hz	
Input voltage range	90~264Vac	
Rating input current	1.0Arms	Input:100V Output:Full load
Max input power	55W	Input:100V Output:Full load
2.Output		
No load output voltage	DC12.6V	
Output voltage range	DC7.5~12.6V	
Suit with battery type	3S Li-ion battery	
Charging current	3.3A \pm 10%	
Charging voltage	DC12.6V \pm 0.15V	
Pre-charge	0.8A \pm 0.1A	Voltage \leq 9.0V Precharge
Charge-end current	\leq 0.3A \pm 10%	
Timer	-	
Max output power	41.58W	
Ripple voltage	\leq 126mV	Full load
Power LED	Red	Power on
Charging LED	All off	No battery
	All on	Finished
	All flashing	Error
	Flashing one by one	Charging
Shorted	Yes	
Reversed	Yes	
Efficiency	\geq 81%	Full load @220V
3.Environment		
Operate temperature	-10 ~ +40°C	
Operate humidity	< +90%	Relative humidity
Storage temperature	-40 ~ +70°C	
Storage humidity	0 ~ +95%	Relative humidity
Cooling	Natural	
Vibration resistance	5MM/50HZ/600S	Non-operating condition
Impact resistance	1 meter drop test 3 times	Non-operating condition
4.Mechanical		
Weight	270g	
Size	120X67X41MM	Casing only
Connector	Refer to order	
5.Safety		
Max. temperature rise	< 40°C on casing	
Safety approval	CE/cTUVus/PSE/CCC	
MTBF	30000H	
ESD	8.0KV	
Hi-Pot Insulation	i/p to o/p: 3000V (1 min)	

CUSTOM	ERR/REV	REV	ZONE	DESCRIPTION	CHA BY/DATE	APP BY/DATE

TOLERANCE FOR INJECT PARTS	
DIVISION DIMENSION	TOLERANCE (CLASS 5)
-10	± 0.10
10-30	± 0.15
30-50	± 0.20
50-75	± 0.25
75-100	± 0.30
100-125	± 0.35
125-150	± 0.40
150-175	± 0.45
175-200	± 0.50
200-250	± 0.60
250-315	± 0.70
315-355	± 0.80
355-400	± 0.90
400-450	± 1.00
450-500	± 1.10



Shenzhen Green Digital Power-Tech CO.,LTD

TITLE:	MATL:
MODEL:	G60W
DES BY:	UNIT: MM
CAD FILE:	WEGHTE:
CHECK BY:	TEXTURE:
COLOR:	Paper Size: A4
FINISH/TREATM ENT:	SCALE: 1:1
APP BY:	DATE:

1 2 3 4 5 6 7 8 9 10

A B C D E F G H