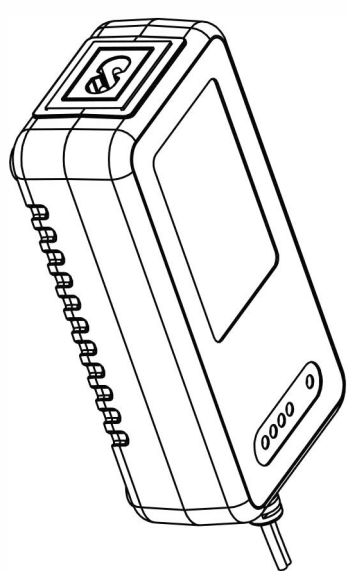
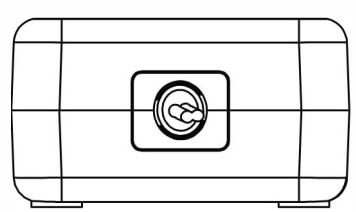
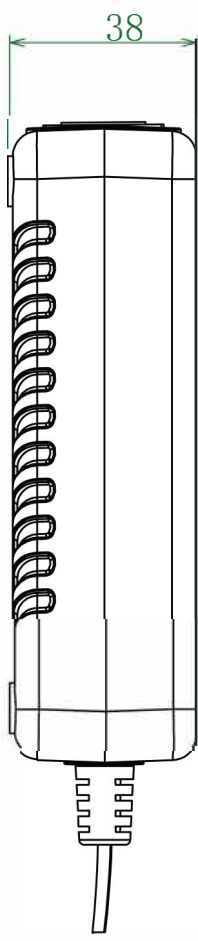
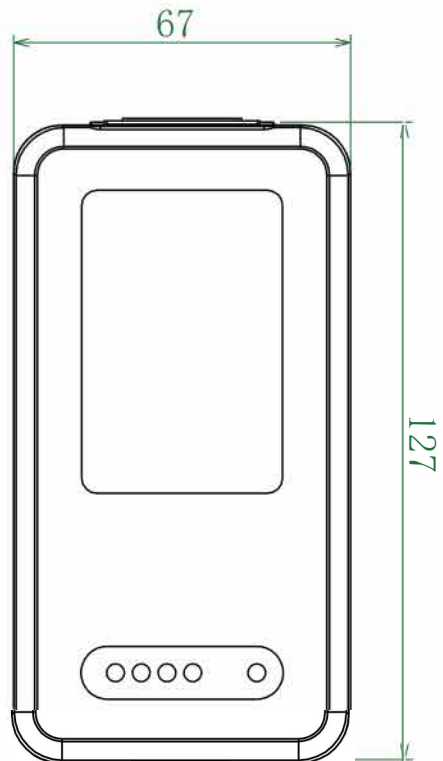


**G60-12F5 (18.0V 2.0A) 5S Li-Fe Battery Charger**

Item	Specification	Remark
1.Input		
Rating input voltage	100~240Vac 50/60Hz	
Input voltage range	90~264Vac	
Rating input current	1.0Arms	Input:100V Output:Full load
Max input power	60W	Input:100V Output:Full load
2.Output		
No load output voltage	DC18.0V	
Output voltage range	DC12.5~18.0V	
Suit with battery type	5S Li-Fe battery	
Charging current	2.6A ±10%	
Charging voltage	DC18.0V ±0.25V	
Pre-charge	0.8A±0.1A	Voltage≤13.0V Precharge
Charge-end current	≤0.3A±10%	
Timer	-	
Max output power	46.8W	
Ripple voltage	≤180mV	Full load
Power LED	Red	Power on
Charging LED	All off	No battery
	All on	Finished
	All flashing	Error
	Flashing one by one	Charging
Shorted	Yes	
Reversed	Yes	
Efficiency	≥85%	Full load @220V
3.Environment		
Operate temperature	-10 ~ +40°C	
Operate humidity	< +90%	Relative humidity
Storage temperature	-40 ~ +70°C	
Storage humidity	0 ~ +95%	Relative humidity
Cooling	Natural	
Vibration resistance	5MM/50HZ/600S	Non-operating condition
Impact resistance	1 meter drop test 3 times	Non-operating condition
4.Mechanical		
Weight	270g	
Size	120X67X41MM	Casing only
Connector	Refer to order	
5.Safety		
Max. temperature rise	< 40°C on casing	
Safety approval	CE/cTUVus/PSE/CCC	
MTBF	30000H	
ESD	8.0KV	
Hi-Pot Insulation	i/p to o/p: 3000V (1 min)	

CUSTOM	ERR/REV	REV	ZONE	DESCRIPTION	CHA BY/DATE	APP BY/DATE

TOLERANCE FOR INJECT PARTS	
DIVISION DIMENSION	TOLERANCE (CLASS 5)
-10	± 0.10
10-30	± 0.15
30-50	± 0.20
50-75	± 0.25
75-100	± 0.30
100-125	± 0.35
125-150	± 0.40
150-175	± 0.45
175-200	± 0.50
200-250	± 0.60
250-315	± 0.70
315-355	± 0.80
355-400	± 0.90
400-450	± 1.00
450-500	± 1.10



Shenzhen Green Digital Power-Tech CO., LTD

TITLE:		MATE:	
MODEL:		WEIGHT:	
DES BY:	FILE	CAD FILE	UNIT: MM
CHECK BY:	COLOR:	FINISH/TREATM ENT	SCALE
APP BY:	APP BY:	DATE:	DATE:

G60W

IT

