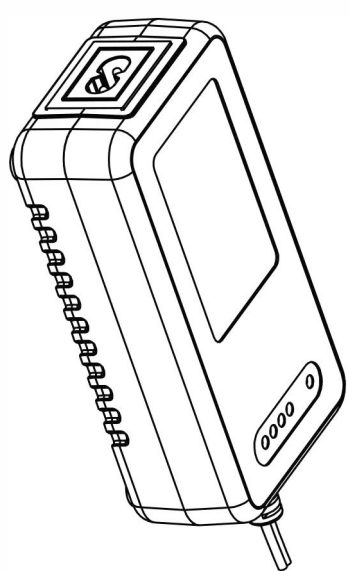
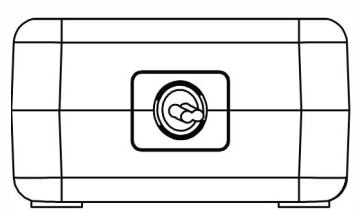
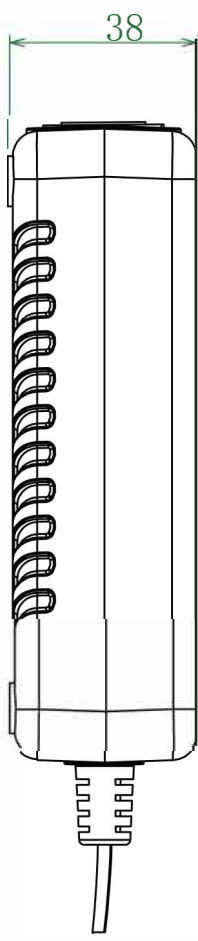
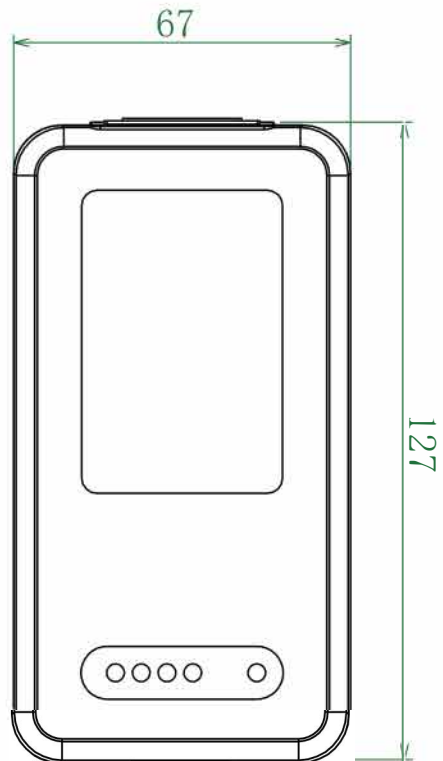


**G60-12F4 (14.4V 3.3A) 4S Li-Fe Battery Charger**

Item	Specification	Remark
1.Input		
Rating input voltage	100~240Vac 50/60Hz	
Input voltage range	90~264Vac	
Rating input current	1.0Arms	Input:100V Output:Full load
Max input power	60W	Input:100V Output:Full load
2.Output		
No load output voltage	DC14.4V	
Output voltage range	DC10.0~14.4V	
Suit with battery type	4S Li-Fe battery	
Charging current	3.3A \pm 10%	
Charging voltage	DC14.4V \pm 0.2V	
Pre-charge	0.8A \pm 0.1A	Voltage \leq 10.4V Prechargev
Charge-end current	\leq 0.3A \pm 10%	
Timer	-	
Max output power	47.52W	
Ripple voltage	\leq 144mV	Full load
Power LED	Red	Power on
Charging LED	All off	No battery
	All on	Finished
	All flashing	Error
	Flashing one by one	Charging
Shorted	Yes	
Reversed	Yes	
Efficiency	\geq 85%	Full load @220V
3.Environment		
Operate temperature	-10 ~ +40°C	
Operate humidity	< +90%	Relative humidity
Storage temperature	-40 ~ +70°C	
Storage humidity	0 ~ +95%	Relative humidity
Cooling	Natural	
Vibration resistance	5MM/50HZ/600S	Non-operating condition
Impact resistance	1 meter drop test 3 times	Non-operating condition
4.Mechanical		
Weight	120g	
Size	81X43X30MM	Casing only
Connector	Refer to order	
5.Safety		
Max. temperature rise	< 40°C on casing	
Safety approval	CE/cTUVus/PSE/CCC	
MTBF	30000H	
ESD	8.0KV	
Hi-Pot Insulation	i/p to o/p: 3000V (1 min)	

CUSTOM	ERR/REV	REV	ZONE	DESCRIPTION	CHA BY/DATE	APP BY/DATE

TOLERANCE FOR INJECT PARTS	
DIVISION DIMENSION	TOLERANCE (CLASS 5)
-10	± 0.10
10-30	± 0.15
30-50	± 0.20
50-75	± 0.25
75-100	± 0.30
100-125	± 0.35
125-150	± 0.40
150-175	± 0.45
175-200	± 0.50
200-250	± 0.60
250-315	± 0.70
315-355	± 0.80
355-400	± 0.90
400-450	± 1.00
450-500	± 1.10



Shenzhen Green Digital Power-Tech CO., LTD

TITLE:		MATE:	
MODEL:		WEIGHT:	
DES BY:	FILE	CAD FILE	TEXTURE
CHECK BY:	COLOR	Paper Size: A4	SCALE
APP BY:	FINISH/TREATM	ENT	DATE:
PART NO.:	CUSTOMER P/N	UNIT: MM	NO

1 2 3 4 5 6 7 8 9 10

A B C D E F G H