

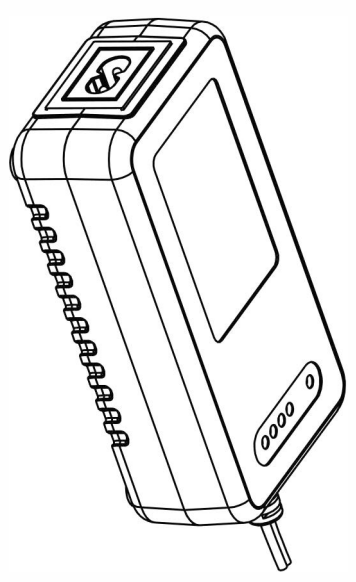
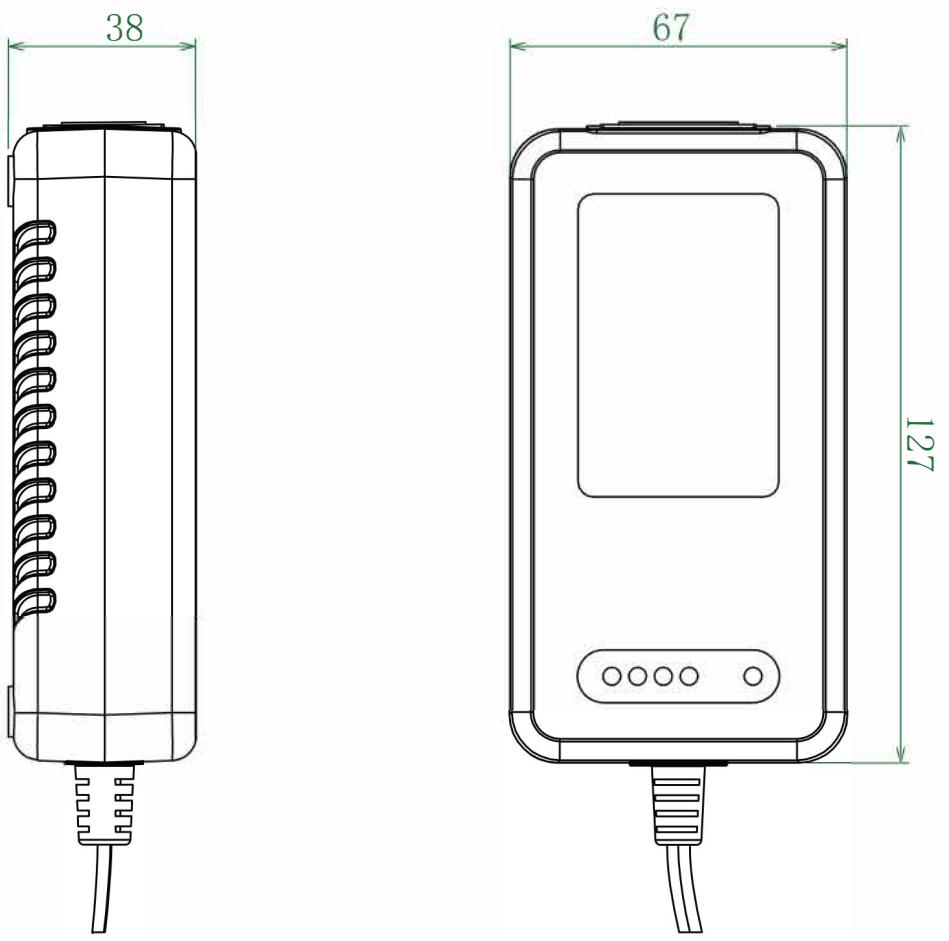


### G60-12F5 (18.0V 2.0A) 5S Li-Fe Battery Charger

Item	Specification	Remark
<b>1.Input</b>		
Rating input voltage	100~240Vac 50/60Hz	
Input voltage range	90~264Vac	
Rating input current	1.0Arms	Input:100V Output:Full load
Max input power	60W	Input:100V Output:Full load
<b>2.Output</b>		
No load output voltage	DC18.0V	
Output voltage range	DC12.5~18.0V	
Suit with battery type	5S Li-Fe battery	
Charging current	2.6A ±10%	
Charging voltage	DC18.0V ±0.25V	
Pre-charge	0.8A±0.1A	Voltage≤13.0V Pre-charge
Charge-end current	≤0.3A±10%	
Timer	-	
Max output power	46.8W	
Ripple voltage	≤180mV	Full load
Power LED	Red	Power on
Charging LED	All off	No battery
	All on	Finished
	All flashing	Error
	Flashing one by one	Charging
Shorted	Yes	
Reversed	Yes	
Efficiency	≥85%	Full load @220V
<b>3.Environment</b>		
Operate temperature	-10 ~ +40℃	
Operate humidity	< +90%	Relative humidity
Storage temperature	-40 ~ +70℃	
Storage humidity	0 ~ +95%	Relative humidity
Cooling	Natural	
Vibration resistance	5MM/50HZ/600S	Non-operating condition
Impact resistance	1 meter drop test 3 times	Non-operating condition
<b>4.Mechanical</b>		
Weight	270g	
Size	127X67X38MM	Casing only
Connector	Refer to order	
<b>5.Safety</b>		
Max. temperature rise	< 40℃ on casing	
Safety approval	CE/cTUVus/PSE/CCC	
MTBF	30000H	
ESD	8.0KV	
Hi-Pot Insulation	i/p to o/p: 3000V (1 min)	

CUSTOMER REV	REV	ZONE	DESCRIPTION	CHA BY/DATE	APP BY/DATE

TOLERANCE FOR INJECT PARTS	
DIVISION DIMENSION	TOLERANCE (CLASS 5)
-10	± 0.10
10-30	± 0.15
30-50	± 0.20
50-75	± 0.25
75-100	± 0.30
100-125	± 0.35
125-150	± 0.40
150-175	± 0.45
175-200	± 0.50
200-250	± 0.60
250-315	± 0.70
315-355	± 0.80
355-400	± 0.90
400-450	± 1.00
450-500	± 1.10



SHENZHEN GREEN DIGITAL POWER TECH CO., LTD

TITLE:	SHENZHEN GREEN DIGITAL POWER TECH CO., LTD			MATERIAL:	
MODEL:	G60W			WEIGHT:	
DES BY:	CAD FILE:	UNIT: MM	NO	TEXTURE:	
CHECK BY:	COLOR:	Paper Size: A4	SCALE:	FT	
APP BY:	FINISH/TREATMENT:		DATE:		
PART NO.:	CUSTOMER P/N:				