



■ Features

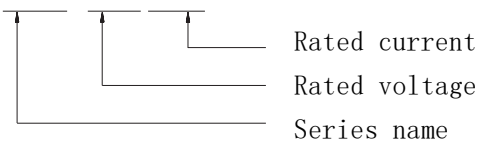
- AC / DC Desktop power adapter
- High efficiency
- High frequency automatic convert mode
- Universal AC input / Full range 90-264Vac
- Built- in active PFC function
- Protection: Short circuit / Over voltage / Over temperature
- 2 years warranty

■ Applications

- IT equipment or Radio system
- Surveillance system
- Domestic appliances
- Machine room

■ Mode Encoding

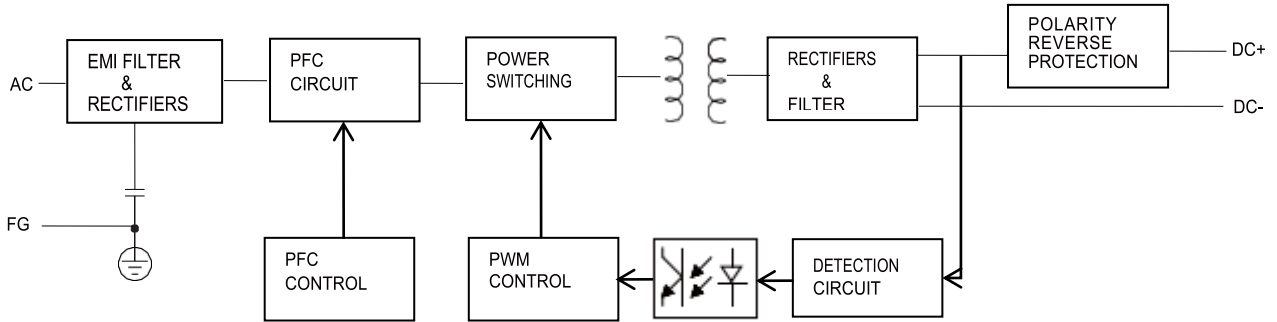
**G300-XXXYYY**



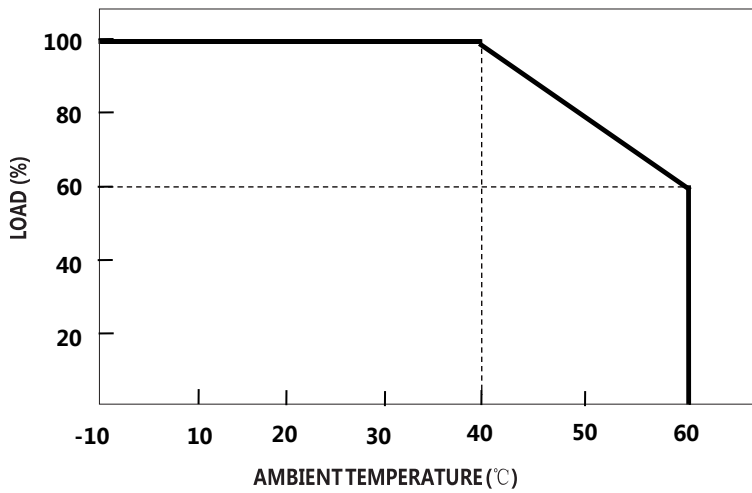
## SPECIFICATION

MODEL		G300-120180	G300-240125	G300-360083	G300-420071	G300-480062	
OUTPUT	Charge voltage	12V±5%	24V±5%	36V±5%	42V±5%	48V±5%	
	Charge current range	0-18.0A	0-12.5A	0-8.3A	0-7.1A	0-6.2A	
	Rated power	216W	300W	298.8W	298.2W	297.6W	
	Voltage regulation rate Load	1%					
	Regulation rate	5%					
	Start-up time	300mS (Input:115VAC Output:Full load)					
	Rise time	30mS (Input:115VAC Output:Full load)					
	Hold time	20mS (Input:115VAC Output:Full load)					
	Ripple voltage	<output voltage*1% (20MHz , AC coupling mode, connected in parallel with 0.1uf ceramic capacitor and 47uf electrolytic capacitor)					
	LED Power indicator	Red					
INPUT	Rated input voltage	100 - 240VAC 50 / 60Hz					
	Input voltage range	90 - 264VAC					
	Power factor (Typ.)	PF>0.98 @Full load, Input:115VAC ; PF>0.94 @Full load), Input:230VAC					
	Input current (Typ.)	4.5A@100VAC					
	Inrush current (Typ.)	Cold start 75A @230VAC					
	Standby input power	< 0.2W					
	Efficiency (Typ.)	94%	95%	95%	95%	95%	
PROTECTION	Short circuit	The internal relay turns off automatically					
	Over voltage	The internal relay turns off automatically (110-160%)					
	Over current	The internal relay turns off automatically					
	Over temperature	The internal relay turns off automatically					
ENVIRONMENT	Working temperature	-10 - +40°C (Refer to " Derating Curve")					
	Working humidity	0 - 90% RH					
	Storage temperature, humidity	-40 - +70°C, 0 - 95% RH					
	Cooling	Natural cooling					
	Vibration resistance	10 - 50Hz, 2G 10min. 1cycle, 60min. each along X, Y, Z					
Safety & EMC (Note 6)	Max. temperature rise	axes < 40°C (Refer to " Derating Curve")					
	Hi-Pot Insulation	i/p to o/p: 3000V (1 min)					
	Safety standards	CB/CE/CCC/cTUVus					
	EMC Emission	<b>Parameter</b>	<b>standard</b>				<b>Test Level I Note</b>
		Conducted	EN55032 FCC PART15				Class B
		Radiated	EN55032 FCC PART15				Class B
		Harmonic Current	EN61000-3-2				.....
Voltage Flicker	EN61000-3-3				.....		
EMC IMMUNITY	EN61000-4-2, EN61000-4-3, EN61000-4-4, EN61000-4-5, EN61000-4-6, EN61000-4-8, EN61000-4-11						
OTHERS	MTBF	30000H					
	Dimension	220*105*43mm (L*W*H)					
	Weight	1100g					
NOTE	<p>1. All parameters NOT specially mentioned are measured at 230VAC input, rated load and 25°C of ambient temperature.</p> <p>2. Derating may be needed under low input voltages. Please check the derating curve for more details.</p> <p>3. The battery charger is considered as an independent unit, but the final equipment still need to re-confirm that the whole system complies with the EMC directives.</p>						

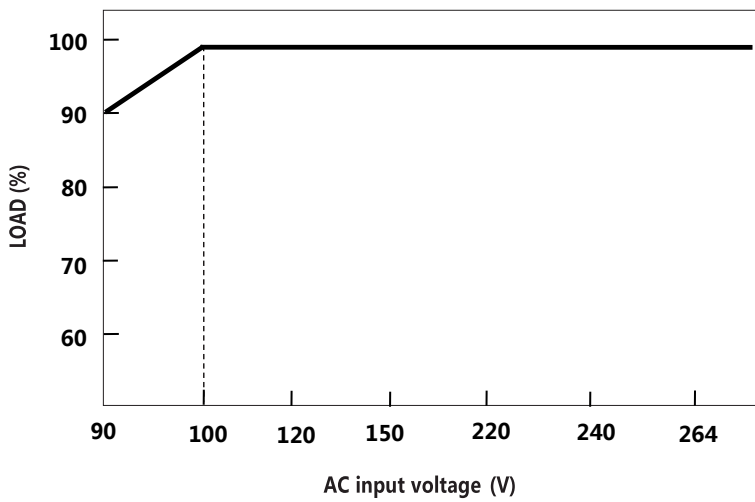
■ Block Diagram



■ Derating Curve



■ Static Characteristics



■ Mechanical specification

