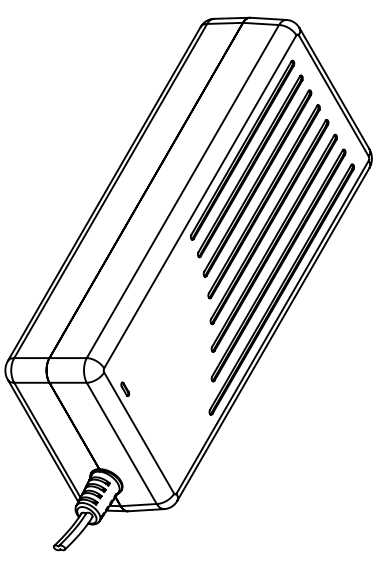
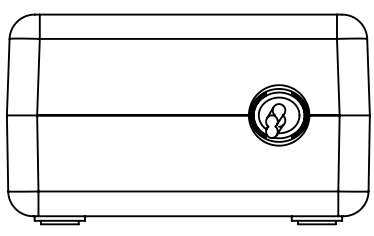
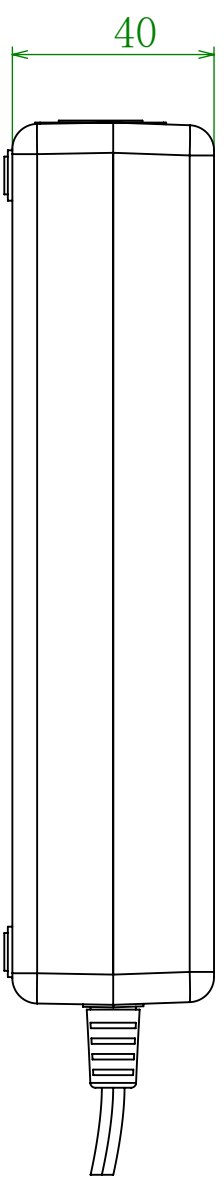
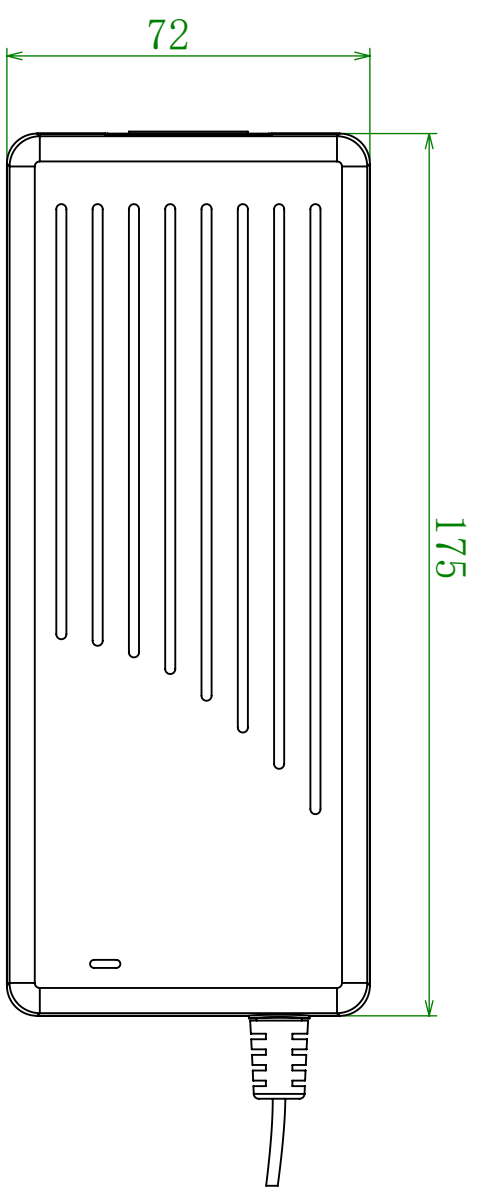


G168-576029 (57.6V 2.9A) 16S Li-Fe Battery Charger

Item	Specification	Remark
1.Input		
Rating input voltage	100~240Vac 50/60Hz	
Input voltage range	90~264Vac	
Rating input current	2.2Arms	Input:100V Output:Full load
Max input power	183W	Input:100V Output:Full load
2.Output		
No load output voltage	DC57.6V \pm 1%	
Output voltage range	DC40.0~57.6V	
Suit with battery type	16S Li-Fe battery	
Charging current	2.9A \pm 7%	
Charging voltage	DC57.6V \pm 1%	
Pre-charge	0.58A \pm 7%	Voltage \leq 48.0V Pre-charge
Charge-end current	\leq 0.29A \pm 10%	
Timer	-	
Max output power	167.04W	
Ripple voltage	\leq 700mV	Full load
Charging LED	Red LED flashing	2Hz Error
	Green LED flashing	0.45Hz No battery; 0.83Hz <25% Capacity; 1.25Hz \geq 25% Capacity; 1.66Hz \geq 50% Capacity; 2.5Hz \geq 75% Capacity;
	Green LED on	Full
Shorted	Yes	
Reversed	Yes	
Efficiency	\geq 93%	Full load @220V
3.Environment		
Operate temperature	-10 ~ +40°C	
Operate humidity	< +90%	Relative humidity
Storage temperature	-40 ~ +70°C	
Storage humidity	0 ~ +95%	Relative humidity
Cooling	Natural	
Vibration resistance	5MM/50HZ/600S	Non-operating condition
Impact resistance	1 meter drop test 3 times	Non-operating condition
4.Mechanical		
Weight	680g	
Size	171X71X40MM	Casing only
Connector	Refer to order	
5.Safety		
Max. temperature rise	< 40°C on casing	
Safety approval	CE/GS/FCC/CCC/cTUVus/CB/BS	
MTBF	30000H	
ESD	8.0KV	
Hi-Pot Insulation	i/p to o/p: 3000V (1 min)	

CUSTOMER REV	REV	ZONE	DESCRIPTION	CHA BY/DATE	APP BY/DATE



Shenzhen Green Digital Power-Tech CO., LTD

TITLE: _____
 MODEL: **G168W-XXXXXX**

DES BY:	CAD FILE:	UNIT: .mm	WEIGHT:	TEXTURE NO.
CHECK BY:	COLOR:	Paper Size: A4	SCALE:	Fit
APP BY:	FINISH/TREATMENT:		DATE:	

PART NO.: _____
 CUSTOMER P/N: _____