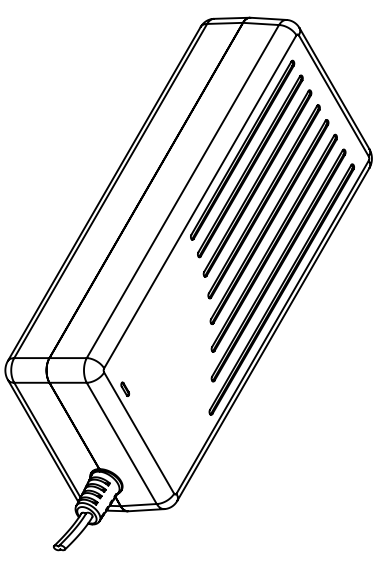
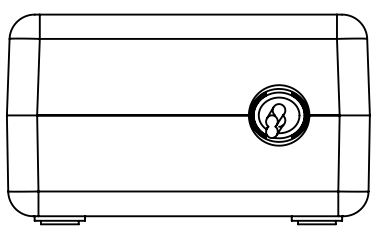
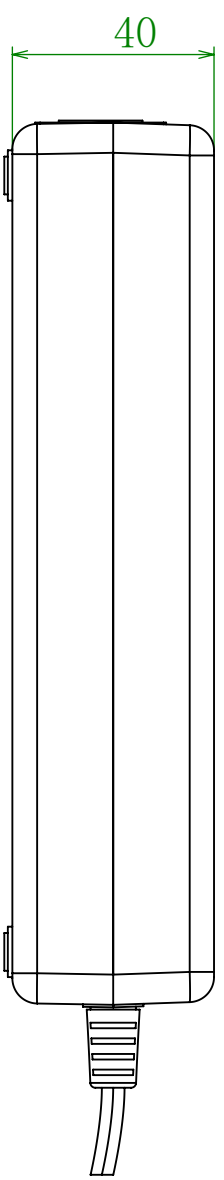
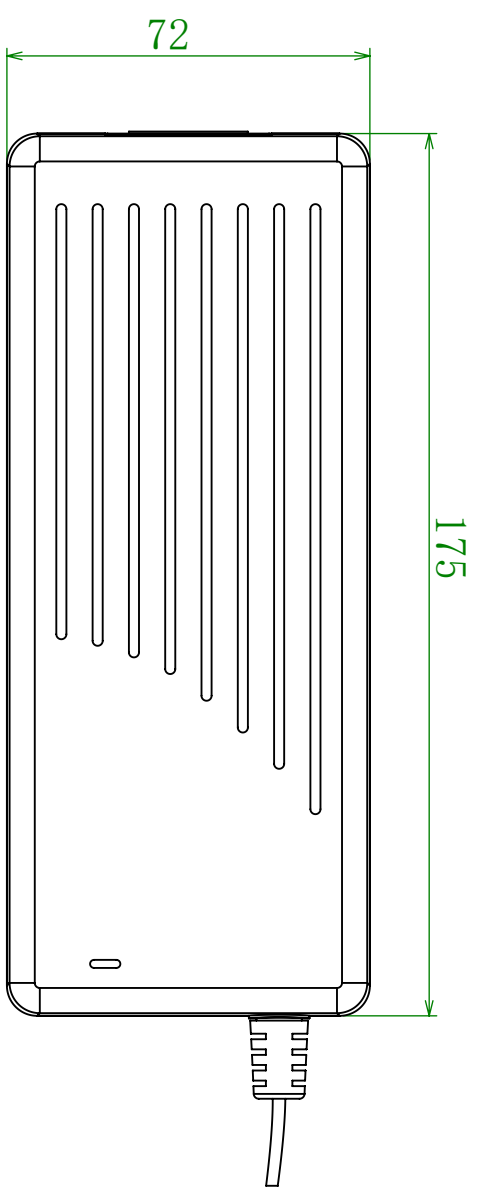


**G168-592028 (59.2V 2.8A) Pb-Acid Battery Charger**

Item	Specification	Remark
<b>1.Input</b>		
Rating input voltage	100~240Vac 50/60Hz	
Input voltage range	90~264Vac	
Rating input current	2.2Arms	Input:100V Output:Full load
Max input power	183W	Input:100V Output:Full load
<b>2.Output</b>		
No load output voltage	DC59.2V $\pm$ 1%	
Output voltage range	DC40.0~59.2V	
Suit with battery type	48V Pb-Acid battery	
Charging current	2.8A $\pm$ 5%	
Charging voltage	DC59.2V $\pm$ 1%	
Floating charge voltage	DC55.2V $\pm$ 1%	
Charge-end current	$\leq$ 0.56A $\pm$ 10%	
Timer	-	
Max output power	165.76W	
Ripple voltage	$\leq$ 700mV	Full load
Charging LED	Red LED flashing	2Hz Error
	Green LED flashing	0.45Hz No battery; 0.83Hz <25% Capacity; 1.25Hz $\geq$ 25% Capacity; 1.66Hz $\geq$ 50% Capacity; 2.5Hz $\geq$ 75% Capacity;
	Green LED on	Full
Shorted	Yes	
Reversed	Yes	
Efficiency	$\geq$ 94%	Full load @220V
<b>3.Environment</b>		
Operate temperature	-10 ~ +40 $^{\circ}$ C	
Operate humidity	< +90%	Relative humidity
Storage temperature	-40 ~ +70 $^{\circ}$ C	
Storage humidity	0 ~ +95%	Relative humidity
Cooling	Natural	
Vibration resistance	5MM/50HZ/600S	Non-operating condition
抗冲击 Impact resistance	1 meter drop test 3 times	Non-operating condition
<b>4.Mechanical</b>		
Weight	680g	
Size	171X71X40MM	Casing only
Connector	Refer to order	
<b>5.Safety</b>		
Max. temperature rise	< 40 $^{\circ}$ C on casing	
Safety approval	CE/GS/FCC/CCC/cTUVus/CB/BS	
MTBF	30000H	
ESD	8.0KV	
Hi-Pot Insulation	i/p to o/p: 3000V (1 min)	

CUSTOMER REV	REV	ZONE	DESCRIPTION	CHA BY/DATE	APP BY/DATE



Shenzhen Green Digital Power-Tech CO., LTD

TITLE: \_\_\_\_\_  
 MODEL: **G168W-XXXXXX**

DES BY:	CAD FILE:	UNIT: mm	WEIGHT:
CHECK BY:	COLOR:	Paper Size: A4	TEXTURE NO.:
APP BY:	FINISH/TREATMENT:	SCALE: <b>Fit</b>	DATE:

