



■ Features

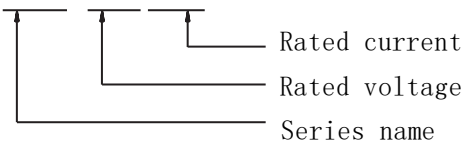
- AC / DC Desktop power adapter
- High efficiency
- High frequency automatic convert mode
- Universal AC input / Full range 90-264Vac
- Built- in active PFC function
- Protection: Short circuit / Over voltage / Over temperature
- 2 years warranty

■ Applications

- IT equipment or Radio system
- Surveillance system
- Domestic appliances
- Machine room

■ Mode Encoding

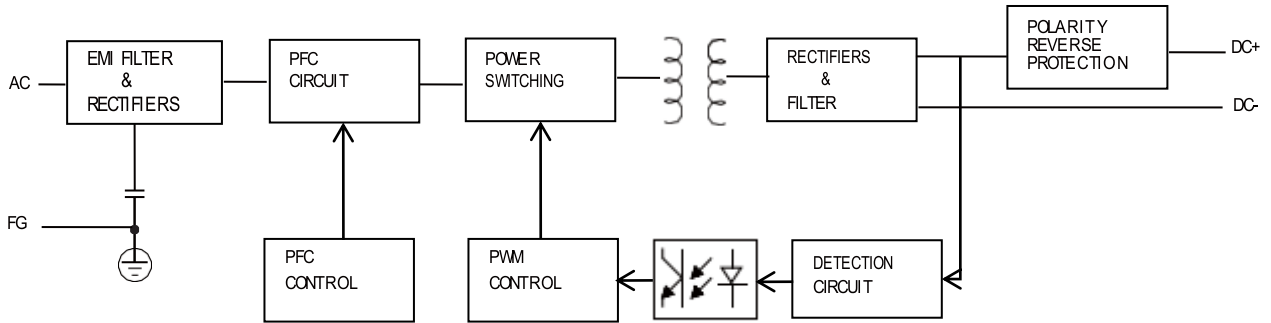
**G168-XXXYYY**



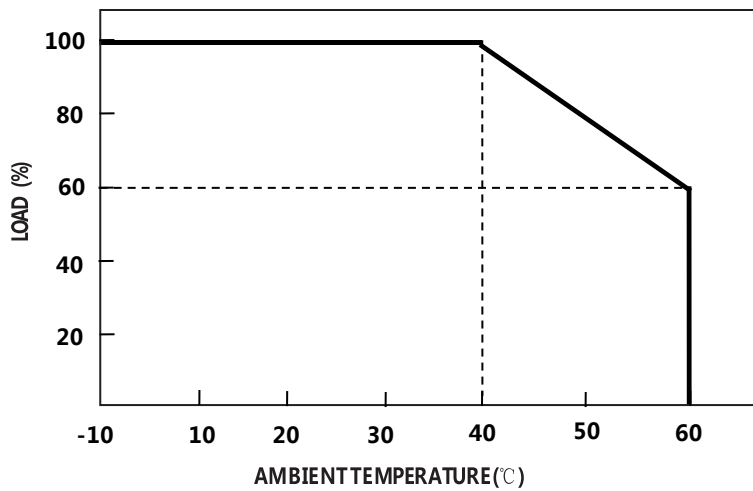
## SPECIFICATION

MODEL		G168-120130	G168-240070	G168-360046	G168-4800350	G168-588028	
OUTPUT	Charge voltage	12V±5%	24V±5%	36V±5%	42V±5%	48V±5%	
	Charge current range	0-13.0A	0-7.0A	0-4.6A	0-3.5A	0-2.8A	
	Rated power	156W	168W	165.6W	168W	164.64W	
	Voltage regulation rate Load	1%					
	Regulation rate	5%					
	Start-up time	300mS (Input:115VAC Output:Full load)					
	Rise time	15mS (Input:115VAC Output:Full load)					
	Hold time	15mS (Input:115VAC Output:Full load)					
	Ripple voltage	<120mV (20MHz , AC coupling mode, connected in parallel with 0.1uf ceramic capacitor and 47uf electrolytic capacitor)					
	LED Power indicator	Red					
INPUT	Rated input voltage	100 - 240VAC 50 / 60Hz					
	Input voltage range	90 - 264VAC					
	Power factor (Typ.)	PF>0.98 @Full load , Input:115VAC ; PF>0.94 @Full load), Input:230VAC					
	Input current (Typ.)	2.2A@100VAC					
	Inrush current (Typ.)	Cold start 50A @230VAC					
	Standby input power	< 0.2W					
	Efficiency (Typ.)	94%	94%	95%	95%	95%	
PROTECTION	Short circuit	The internal relay turns off automatically					
	Over voltage	The internal relay turns off automatically					
	Over current	The internal relay turns off automatically					
	Over temperature	The internal relay turns off automatically					
ENVIRONMENT	Working temperature	-10 - +40°C (Refer to " Derating Curve")					
	Working humidity	0 - 90% RH					
	Storage temperature, humidity	-40 - +70°C, 0 - 95% RH					
	Cooling	Natural cooling					
	Vibration resistance	10 - 50Hz, 2G 10min. 1cycle, 60min. each along X, Y, Z					
Safety & EMC (Note 6)	Max. temperature rise	axes < 40°C (Refer to " Derating Curve")					
	Hi-Pot Insulation	i/p to o/p: 3000V (1 min)					
	Safety standards	CE/PSE/SAA/FCC/CCC/cTUVus/CB/BS					
	EMC Emission	<b>Parameter</b>	<b>standard</b>			<b>Test Level I Note</b>	
		Conducted	EN55032 FCC PART15			Class B	
		Radiated	EN55032 FCC PART15			Class B	
		Harmonic Current	EN61000-3-2			.....	
Voltage Flicker	EN61000-3-3			.....			
EMC IMMUNITY	EN61000-4-2,EN61000-4-3,EN61000-4-4,EN61000-4-5,EN61000-4-6,EN61000-4-8,EN61000-4-11						
OTHERS	MTBF	30000H					
	Dimension	175*72*40mm (L*W*H)					
	Weight	600g					
NOTE	<p>1. All parameters NOT specially mentioned are measured at 230VAC input, rated load and 25°C of ambient temperature.</p> <p>2. Derating may be needed under low input voltages. Please check the derating curve for more details.</p> <p>3. The battery charger is considered as an independent unit, but the final equipment still need to re-confirm that the whole system complies with the EMC directives.</p>						

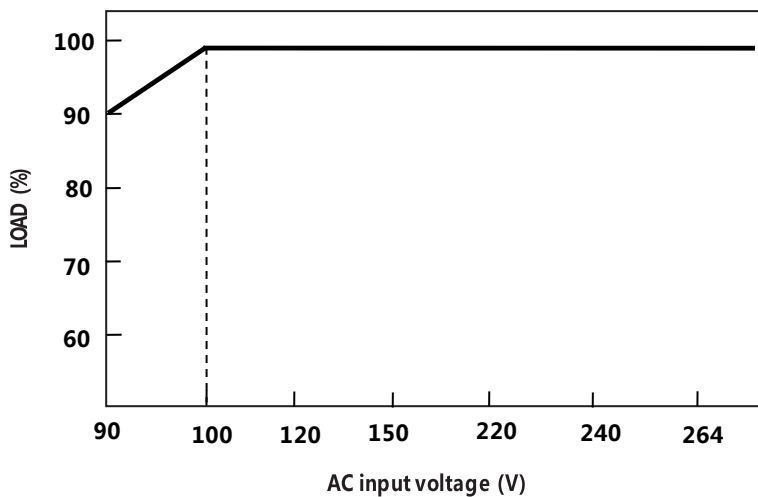
■ Block Diagram



■ Derating Curve



■ Static Characteristics



**Mechanical specification**

