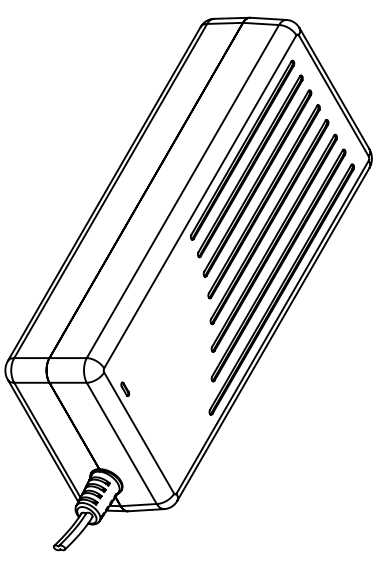
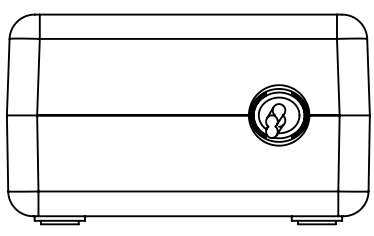
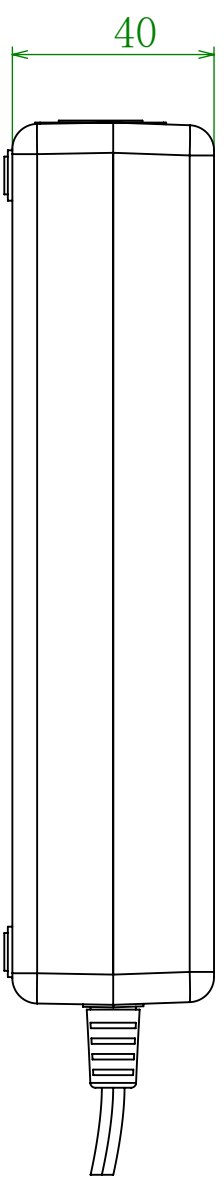
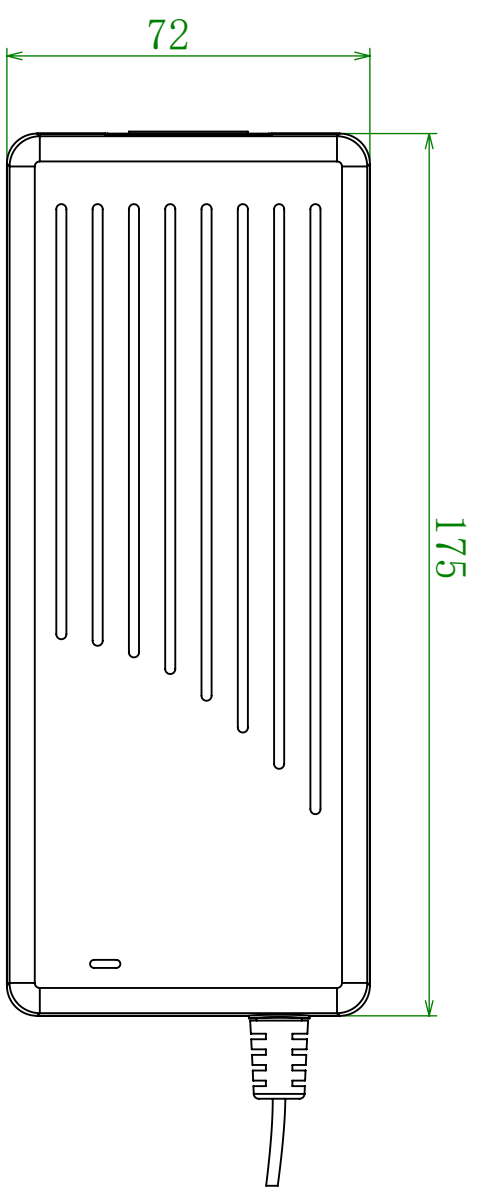


**G168-330050 (33.0V 5.0A) Power Adapter**

Item	Specification	Remark
<b>1.Input</b>		
Rating input voltage	100~240Vac 50/60Hz	
Input voltage range	90~264Vac	
Rating input current	2.2Arms	Input:100VAC Output:Full load
Power factor	PF>0.98	Input:115VAC Output:Full load
	PF>0.94	Input:230VAC Output:Full load
Efficiency	93.0%	Input:115VAC Output:Full load
	95.0%	Input:230VAC Output:Full load
Standby power	200mW	Input:115VAC&230VAC
Inrush current	30A/115VAC 50A/230VAC	Cold-start and 25°C,Full-load
Leakage current	<500uA	240VAC
<b>2.Output</b>		
Output voltage	33V	
Output current range	0-5A	
Rated maximum power	165W	
Voltage tolerance	±2%	
Voltage regulation	±1%	
Load regulation	±5%	
Start-up time	300ms	Input:115VAC Output:Full load
Rise time	30ms	Input:115VAC Output:Full load
Hold time	20ms	Input:115VAC Output:Full load
Ripple voltage	200mV	20MHz , AC coupling mode, connected in parallel with 0.1uf ceramic capacitor and 47uf electrolytic capacitor
<b>3.Protect</b>		
OLP	110~160% , Lock mode	
OVP	Lock mode	
SCP	Lock mode	
OTP	Lock mode	
<b>4.Environment</b>		
Operate temperature	-10 ~ +40°C	
Operate humidity	< +90%	Relative humidity
Storage temperature	-40 ~ +70°C	
Storage humidity	0 ~ +95%	Relative humidity
Cooling	Natural	
Vibration resistance	5MM/50HZ/600S	Non-operating condition
Impact resistance	1 meter drop test 3 times	Non-operating condition
<b>5.Mechanical</b>		
Weight	680g	
Size	171X71X40MM	Casing only
Connector	Refer to order	
<b>6.Safety</b>		
Max. temperature rise	< 40°C on casing	
Safety approval	CE/GS/PSE/SAA/FCC/CCC/cTUVus/CB/BS	
MTBF	30000H	
ESD	8.0KV	
Hi-Pot Insulation	i/p to o/p: 3000V (1 min)	

CUSTOMER REV	REV	ZONE	DESCRIPTION	CHA BY/DATE	APP BY/DATE



Shenzhen Green Digital Power-Tech CO., LTD

TITLE: \_\_\_\_\_  
 MODEL: **G168W-XXXXXX**

DES BY:	CAD FILE:	UNIT: .mm	WEIGHT:
CHECK BY:	COLOR:	Paper Size: A4	TEXTURE NO.
APP BY:	FINISH/TREATMENT:	SCALE: <b>Fit</b>	DATE:

