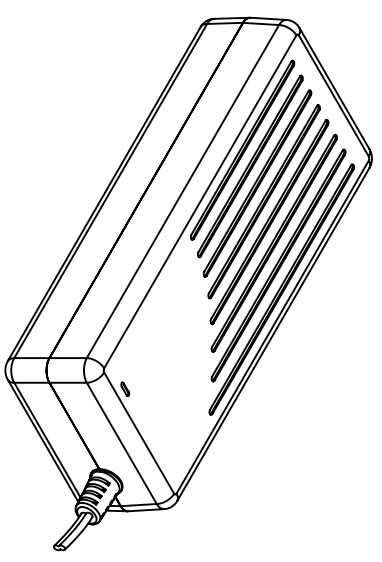
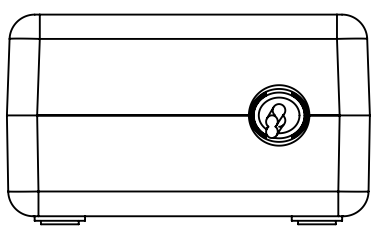
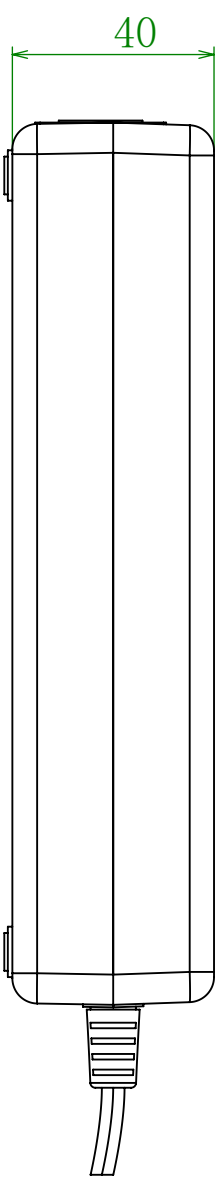
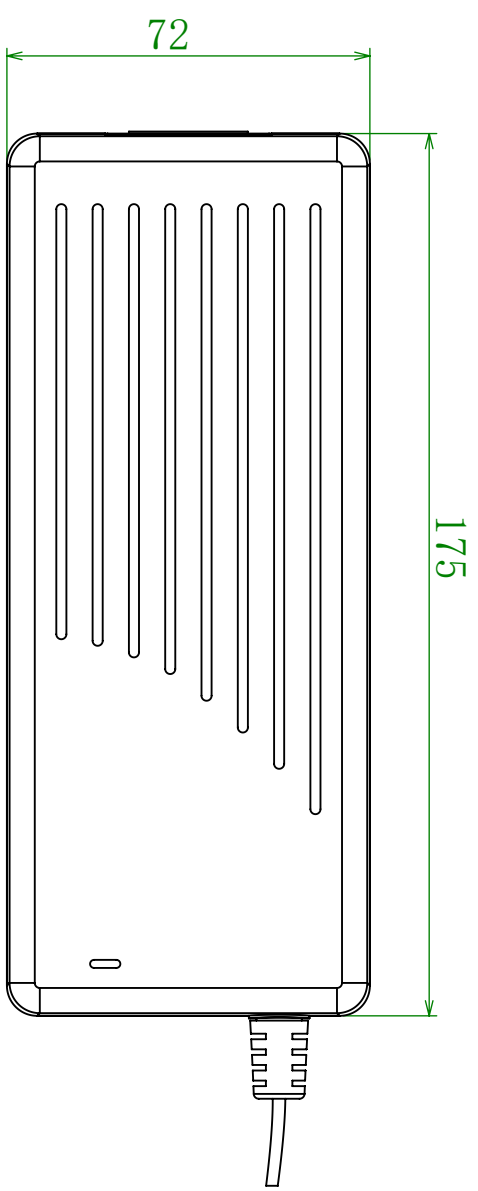


G168-240070 (24.0V 7.0A) Power Adapter

Item	规格 Specification	备注 Remark
1.Input		
Rating input voltage	100~240Vac 50/60Hz	
Input voltage range	90~264Vac	
Rating input current	2.2Arms	Input:100VAC Output:Full load
Power factor	PF>0.98	Input:115VAC Output:Full load
	PF>0.94	Input:230VAC Output:Full load
Efficiency	93.0%	Input:115VAC Output:Full load
	95.0%	Input:230VAC Output:Full load
Standby power	160mW	Input:115VAC&230VAC
Inrush current	30A/115VAC 50A/230VAC	Cold-start and 25°C,Full-load
Leakage current	<500uA	240VAC
2.Output		
Output voltage	24V	
Output current range	0-7A	
Rated maximum power	168W	
Voltage tolerance	±2%	
Voltage regulation	±1%	
Load regulation	±5%	
Start-up time	300ms	Input:115VAC Output:Full load
Rise time	20ms	Input:115VAC Output:Full load
Hold time	20ms	Input:115VAC Output:Full load
Ripple voltage	170mV	20MHz , AC coupling mode, connected in parallel with 0.1uf ceramic capacitor and 47uf electrolytic capacitor
3.Protect		
OLP	110~160% , Lock mode	
OVP	Lock mode	
SCP	Lock mode	
OTP	Lock mode	
4.Environment		
Operate temperature	-10 ~ +40°C	
Operate humidity	< +90%	Relative humidity
Storage temperature	-40 ~ +70°C	
Storage humidity	0 ~ +95%	Relative humidity
Cooling	Natural	
Vibration resistance	5MM/50HZ/600S	Non-operating condition
Impact resistance	1 meter drop test 3 times	Non-operating condition
5.Mechanical		
Weight	680g	
Size	171X71X40MM	Casing only
Connector	Refer to order	
6.Safety		
Max. temperature rise	< 40°C on casing	
Safety approval	CE/GS/PSE/SAA/FCC/CCC/cTUVus/CB/BS	
MTBF	30000H	
ESD	8.0KV	
Hi-Pot Insulation	i/p to o/p: 3000V (1 min)	

CUSTOMER REV	REV	ZONE	DESCRIPTION	CHA BY/DATE	APP BY/DATE



Shenzhen Green Digital Power-Tech CO., LTD

TITLE: _____
 MODEL: **G168W-XXXXXX**

DES BY:	CAD FILE:	UNIT: .mm	WEIGHT:
CHECK BY:	COLOR:	Paper Size: A4	TEXTURE NO.
APP BY:	FINISH/TREATMENT:	SCALE: Fit	DATE:

