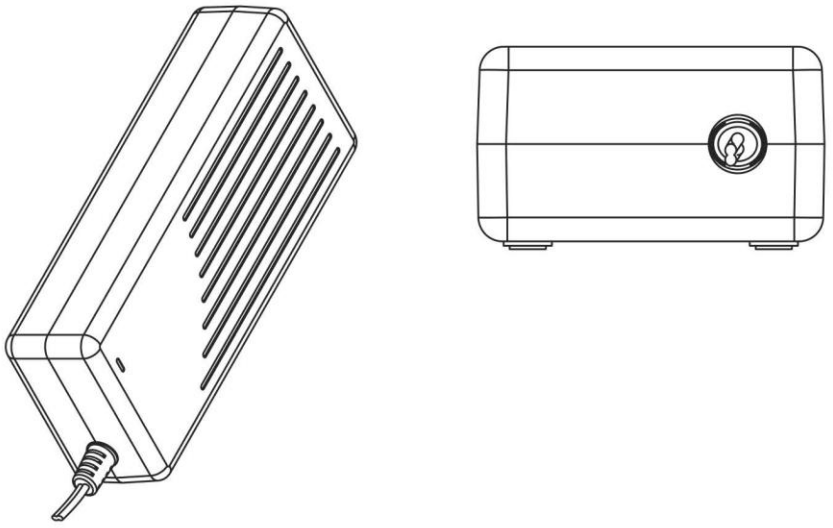
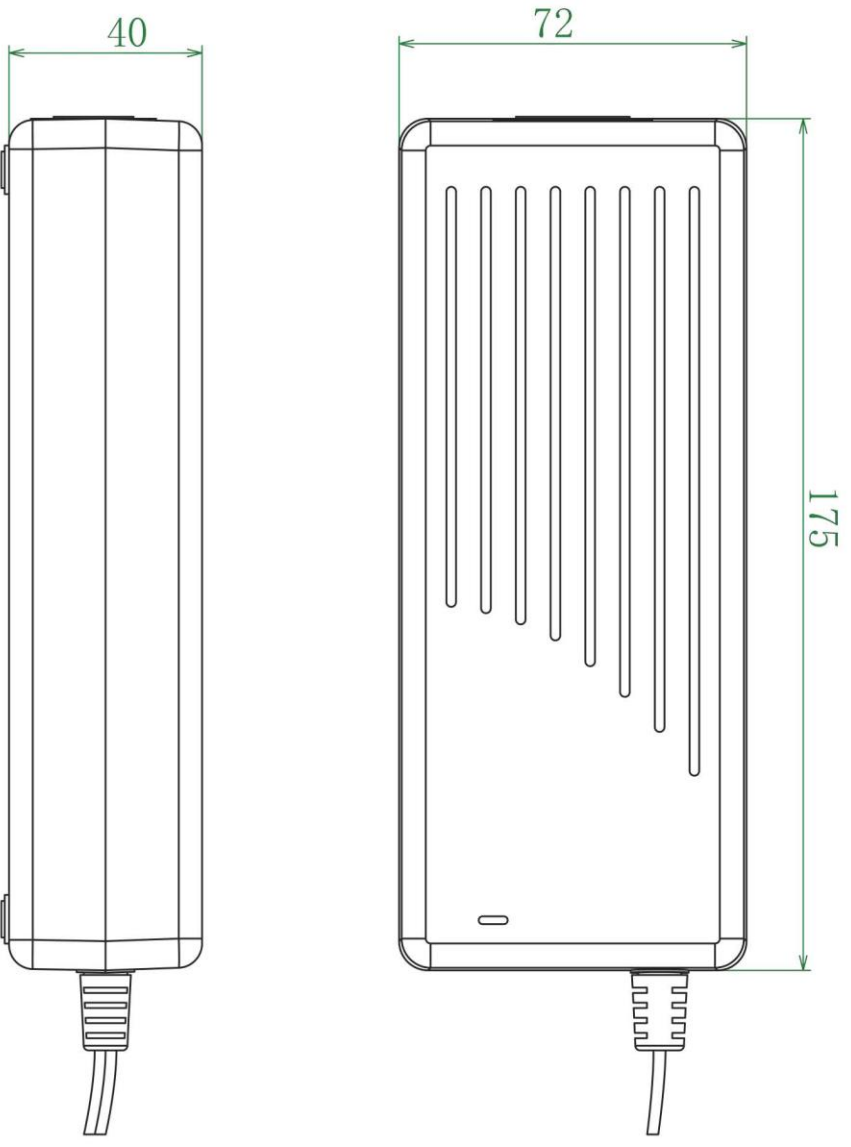




### G168-190088 (19.0V 8.8A) Power Adapter

Item	Specification	Remark
<b>1.Input</b>		
Rating input voltage	100~240Vac 50/60Hz	
Input voltage range	90~264Vac	
Rating input current	2.2Arms	Input:100VAC Output:Full load
Power factor	PF>0.98	Input:115VAC Output:Full load
	PF>0.94	Input:230VAC Output:Full load
Efficiency	93.0%	Input:115VAC Output:Full load
	95.0%	Input:230VAC Output:Full load
Standby power	160mW	Input:115VAC&230VAC
Inrush current	75A/230VAC (cold start)	
Leakage current	<500uA	240VAC
<b>2.Output</b>		
Output voltage	19V	
Output current range	0-8.8A	
Rated maximum power	167.2W	
Voltage tolerance	±2%	
Voltage regulation	±1%	
Load regulation	±5%	
Start-up time	300ms	Input:115VAC Output:Full load
Rise time	20ms	Input:115VAC Output:Full load
Hold time	20ms	Input:115VAC Output:Full load
Ripple voltage	170mV	20MHz , AC coupling mode, connected in parallel with 0.1uf ceramic capacitor and 47uf electrolytic capacitor
<b>3.Protect</b>		
OLP	110-160% , Lock mode	
OVP	Lock mode	
SCP	Lock mode	
OTP	Lock mode	
<b>4.Environment</b>		
Operate temperature	-10 ~ +40℃	
Operate humidity	< +90%	Relative humidity
Storage temperature	-40 ~ +70℃	
Storage humidity	0 ~ +95%	Relative humidity
Cooling	Natural	
Vibration resistance	5MM/50HZ/600S	Non-operating condition
Impact resistance	1 meter drop test 3 times	Non-operating condition
<b>5.Mechanical</b>		
Weight	680g	
Size	175X72X40MM	Casing only
Connector	Refer to order	
<b>6.Safety</b>		
Max. temperature rise	< 40℃ on casing	
Safety approval	CE/SAA/FCC/CCC/cTUVus/CB/BS	
MTBF	30000H	
ESD	8.0KV	
Hi-Pot Insulation	i/p to o/p: 3000V (1 min)	

CUSTOMER REV	REV	ZONE	DESCRIPTION	CHA BY/DATE	APP BY/DATE



深圳市谷润数字电源有限公司

TITLE:		MATEL:	
MODEL:		G168W-XXXXXX	
DES BY:	CAD FILE:	UNIT :	TEXTURE NO.
CHECK BY:	COLOR:	Paper Size:A4	SCALE: Fit
APP BY:	FINISH/TREATMENT:		DATE:

PART NO.:	
CUSTOMER P/N:	

