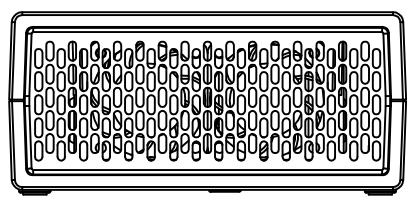
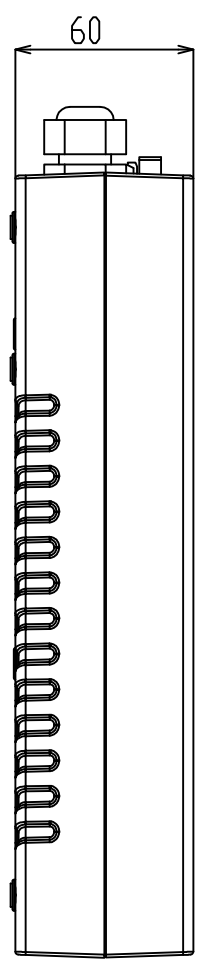
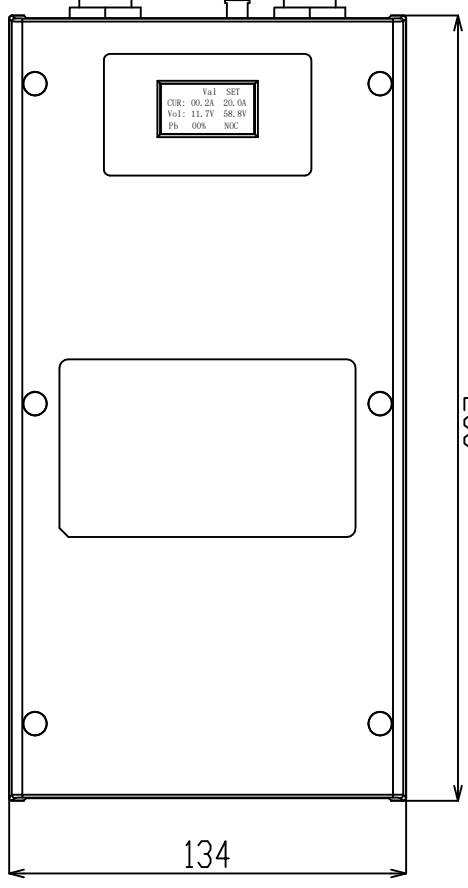
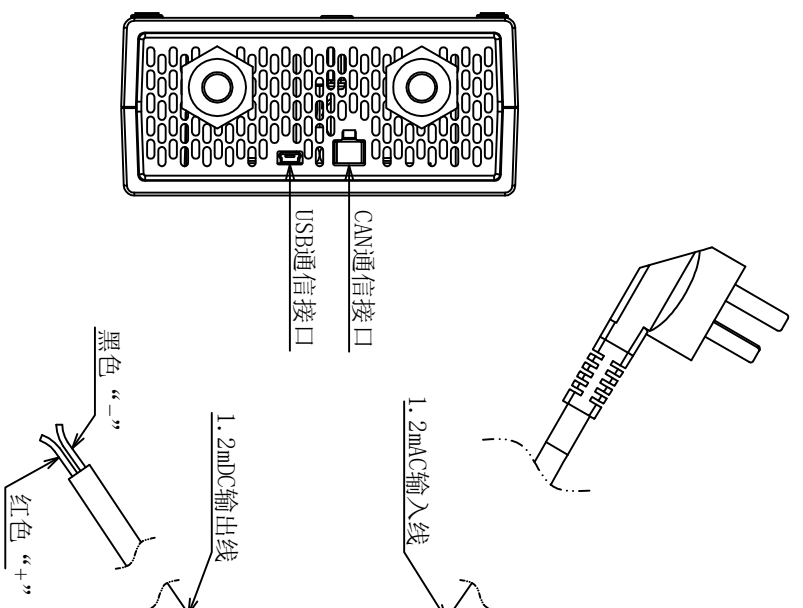


**G1200-252360 (25.2V 36.0A) 6S Li-ion Battery Charger**

项目 Item	规格 Specification	备注 Remark
1.输入特性 Input		
额定输入电压 Rating input voltage	100~240Vac 50/60Hz	
输入电压范围 Input voltage range	90~264Vac	
额定输入电流 Rating input current	13.0Arms	Input:100V Output:Full load
功率因素PF value	≥0.96	
待机功率Standby input power	≤4W	
最大输入功率 Max input power	900W	Input:100V Output:Full load
2.输出特性 Output		
空载输出电压 No load output voltage	<10V	
输出电压范围 Output voltage range	DC15.0~25.2V	
适用电池 Suit with battery type	6S Li-ion battery	
恒定电流 Charging current	36.0A ±10%	
恒定电压 Charging voltage	DC25.2V ±1%	
预充电流 Pre-charge	7.2A ±10%	电压≤18.0V预充
充电结束电流 Charge-end current	≤3.6A ±20%	
定时器 Timer	-	
最大输出功率 Max output power	907W	
纹波电压 Ripple voltage	≤252mV	满载 Full load
LCD显示	显示电压, 电流, 电量 Display voltage,current,capacity	
通信功能Communication function	USB/CAN	可设置电池类型(铅酸、锂电、铁锂)、充电电压、充电电流 The battery type (lead acid, lithium battery,LiFePO4 battery), charging voltage and charging current can be set
输出短路保护 Shorted	有Yes	
输出反接保护 Reversed	有Yes	
效率 Efficiency	≥92%	满载 Full load @220V
3.环境要求 Environment		
工作温度 Operate temperature	-10 ~ +40°C	
工作湿度 Operate humidity	< +90%	相对湿度 Relative humidity
存储温度 Storage temperature	-40 ~ +70°C	
存储湿度 Storage humidity	0 ~ +95%	相对湿度 Relative humidity
冷却方式 Cooling	风扇 Fan	
抗振动 Vibration resistance	5MM/50HZ/600S	非运行状况 Non-operating condition
抗冲击 Impact resistance	-	非运行状况 Non-operating condition
4.结构 Mechanical		
重量 Weight	2.3Kg	
尺寸 Size	265X134X60MM	外壳尺寸Casing only
接线端子 Connector	按客户要求制定 Refer to order	
5.安全特性 Safety		
最大温升 Max. temperature rise	< 40°C on casing	
安全标准Safety approval	EN60950(LVD) ,EN55032(EMC)	
平均无故障时间 MTBF	30000H	
静电等级 ESD	8.0KV	
隔离耐电压 Hi-Pot Insulation	i/p to o/p: 3000V (1 min)	

CUSTOMER REV	REV	ZONE	DESCRIPTION	CHA BY/DATE	APP BY/DATE



Shenzhen Green Digital Power-Tech CO., LTD

TITLE:					MATL:	
MODEL:	L200W-XXXXXX				WEIGHT:	
DES BY:	CAD FILE:	UNIT :	mm	TEXTURE	ND	
CHECK BY:	COLOR:	Paper Size:	A4	SCALE:	1:1	
APP BY:	FINISH/TREATMENT:			DATE:		
PART NO:						
CUSTOMER P/N:						