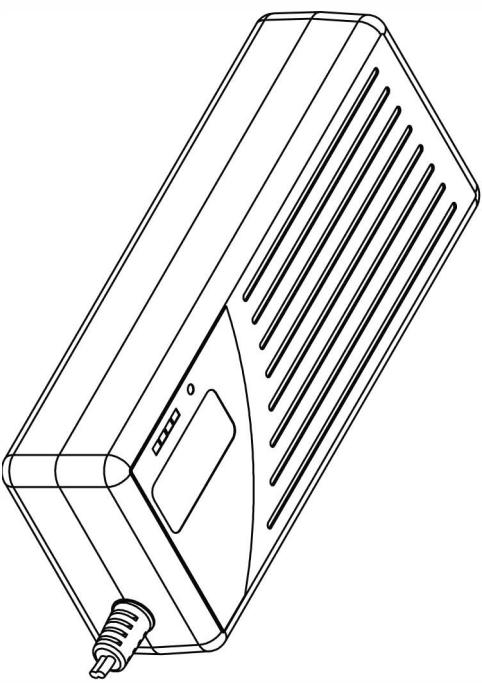
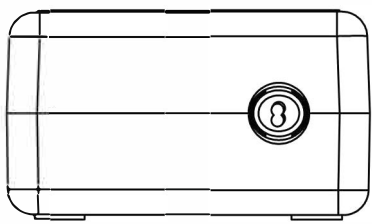
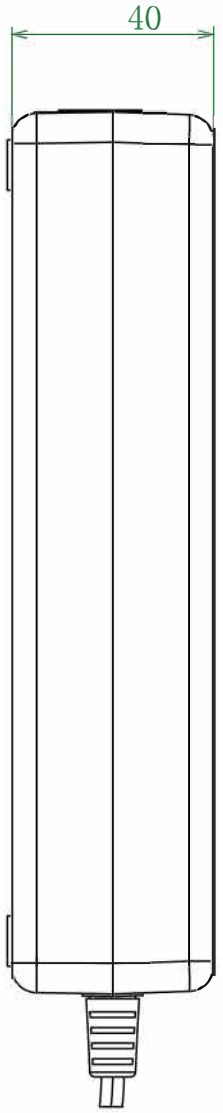
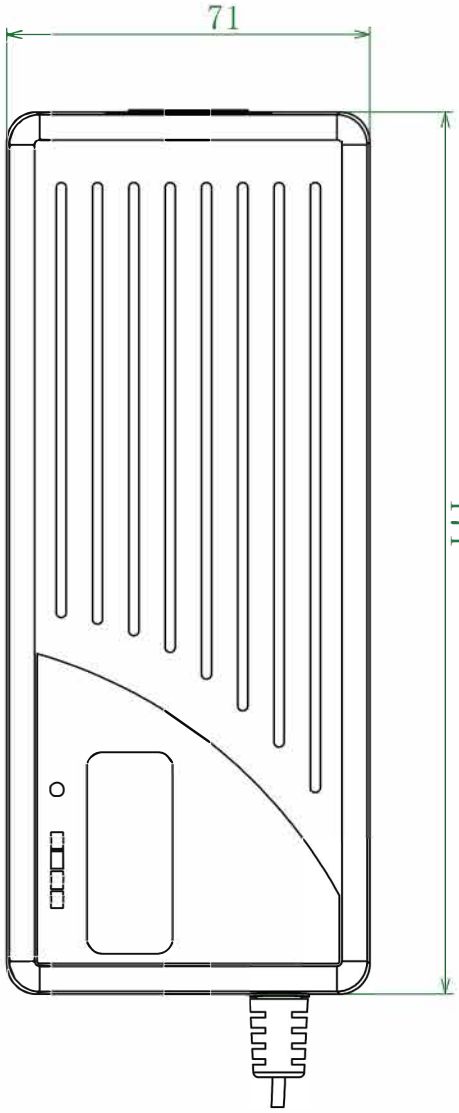




| G100-12L (16.8V 4.5A) 4S Li-ion Battery Charger | | |
|--|---------------------------|--------------------------------|
| Item | Specification | Remark |
| 1.Input | | |
| Rating input voltage | 100~240Vac 50/60Hz | |
| Input voltage range | 90~264Vac | |
| Rating input current | 1.5Arms | Input:100V Output:Full load |
| Max input power | 100W | Input:100V Output:Full load |
| 2.Output | | |
| No load output voltage | DC16.8V | |
| Output voltage range | DC10.0~16.8V | |
| Suit with battery type | 4S Li-ion battery | |
| Charging current | 4.5A \pm 10% | |
| Charging voltage | DC16.8V \pm 0.2V | |
| Pre-charge | 0.8 \pm 0.2A | Voltage \leq 12.0V Precharge |
| Charge-end current | \leq 0.4A \pm 0.1A | |
| Timer | - | |
| Max output power | 75.6W | |
| Ripple voltage | \leq 168mV | Full load |
| Power LED | Red | Power on |
| Charging LED | All off | No battery |
| | All on | Full charge |
| | All flash | Error |
| | Flashing one by one | Charging |
| Shorted | Yes | |
| Reversed | Yes | |
| Efficiency | \geq 85% | Full load @220V |
| 3.Environment | | |
| Operate temperature | -10 ~ +40°C | |
| Operate humidity | < +90% | Relative humidity |
| Storage temperature | -40 ~ +70°C | |
| Storage humidity | 0 ~ +95% | Relative humidity |
| Cooling | Natural | |
| Vibration resistance | 5MM/50HZ/600S | Non-operating condition |
| Impact resistance | 1 meter drop test 3 times | Non-operating condition |
| 4.Mechanical | | |
| Weight | 400g | |
| Size | 170X70X41MM | Casing only |
| Connector | Refer to order | |
| 5.Safety | | |
| Max. temperature rise | < 40°C on casing | |
| Safety approval | CE/cTUVus/CCC/PSE | |
| MTBF | 30000H | |
| ESD | 8.0KV | |
| Hi-Pot Insulation | i/p to o/p: 3000V (1 min) | |

| CUSTOMER REV | REV | ZONE | DESCRIPTION | CHA BY/DATE | APP BY/DATE |
|--------------|-----|------|-------------|-------------|-------------|
| | | | | | |



Shenzhen Green Digital Power-Tech CO., LTD

TITLE: G100W

MODEL: MATE: WEIGHT:

DES BY: CAD FILE: UNIT: mm TEXTURE NO

CHECK BY: COLOR: Paper Size: A4 SCALE: Ft

APP BY: FINISH/TREATMENT: DATE:

PART NO.:
CUSTOMER P/N:

