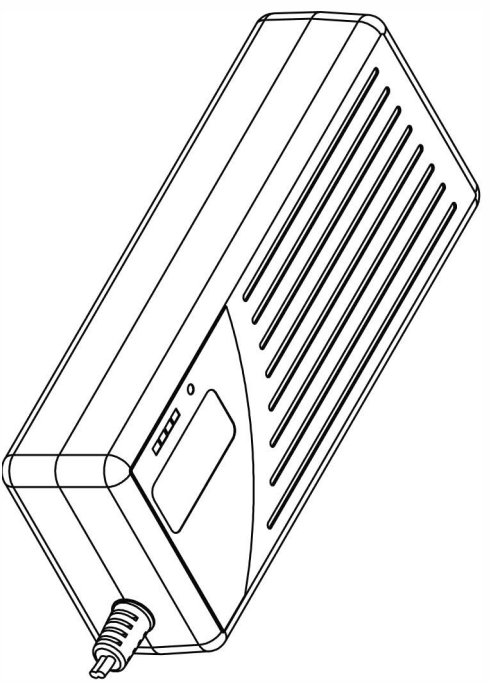
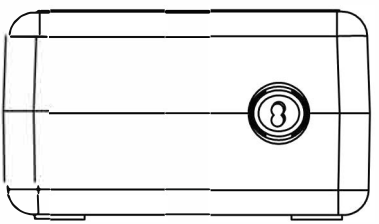
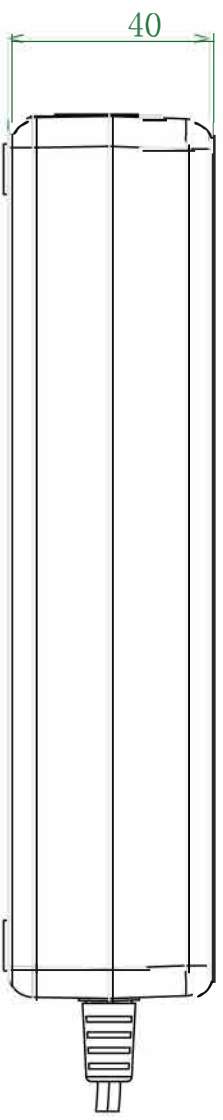
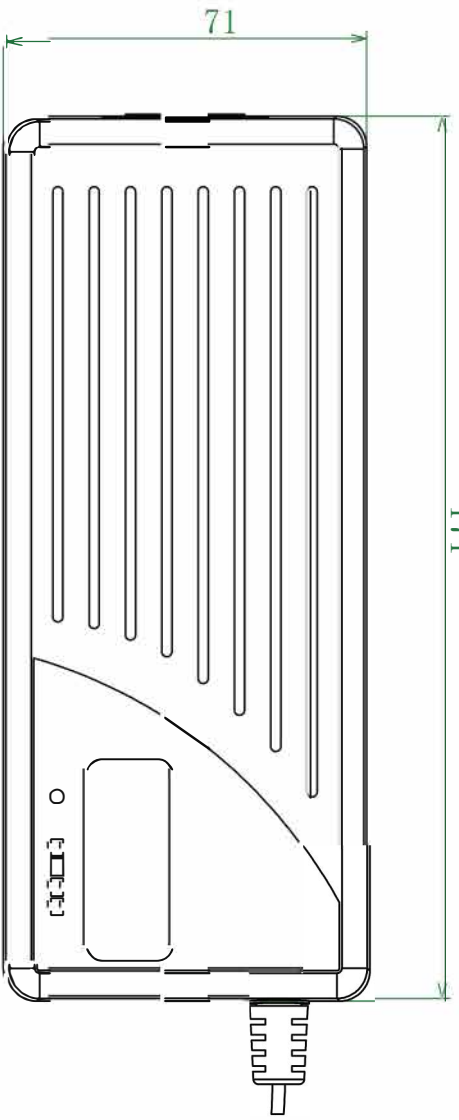




G100-12F4 (14.4V 5.0A) 4S Li-Fe Battery Charger		
Item	Specification	Remark
1.Input		
Rating input voltage	100~240Vac 50/60Hz	
Input voltage range	90~264Vac	
Rating input current	1.5Arms	Input:100V Output:Full load
Max input power	100W	Input:100V Output:Full load
2.Output		
No load output voltage	DC14.4V	
Output voltage range	DC10.0~14.4V	
Suit with battery type	4S Li-Fe battery	
Charging current	5.0A \pm 10%	
Charging voltage	DC14.4V \pm 0.2V	
Pre-charge	0.8 \pm 0.2A	Voltage \leq 10.4V Precharge
Charge-end current	\leq 0.4A \pm 0.1A	
Timer	-	
Max output power	72W	
Ripple voltage	\leq 144mV	Full load
Power LED	Red	Power on
Charging LED	All off	No battery
	All on	Full charge
	All flash	Error
	Flashing one by one	Charging
Shorted	Yes	
Reversed	Yes	
Efficiency	\geq 83%	Full load @220V
3.Environment		
Operate temperature	-10 ~ +40°C	
Operate humidity	< +90%	Relative humidity
Storage temperature	-40 ~ +70°C	
Storage humidity	0 ~ +95%	Relative humidity
Cooling	Natural	
Vibration resistance	5MM/50HZ/600S	Non-operating condition
Impact resistance	1 meter drop test 3 times	Non-operating condition
4.Mechanical		
Weight	400g	
Size	170X70X41MM	Casing only
Connector	Refer to order	
5.Safety		
Max. temperature rise	< 40°C on casing	
Safety approval	CE/cTUVus/CCC/PSE	
MTBF	30000H	
ESD	8.0KV	
Hi-Pot Insulation	i/p to o/p: 3000V (1 min)	

CUSTOMER REV	REV	ZONE	DESCRIPTION	CHA BY/DATE	APP BY/DATE



Shenzhen Green Digital Power-Tech CO., LTD

TITLE: G100W

MODEL: MATT.

DES BY: CAD FILE WEIGHT: TEXTURE

CHECK BY: COLOR: Paper Size: A4 SCALE: 1:1

APP BY: FINISH/TREATMENT DATE: DATE:

PART NO.:
CUSTOMER P/N

