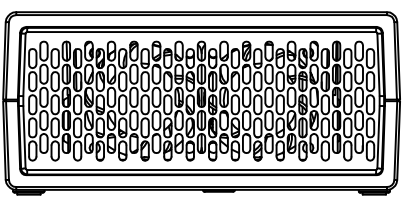
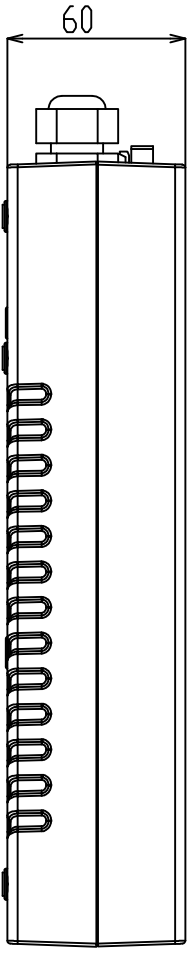
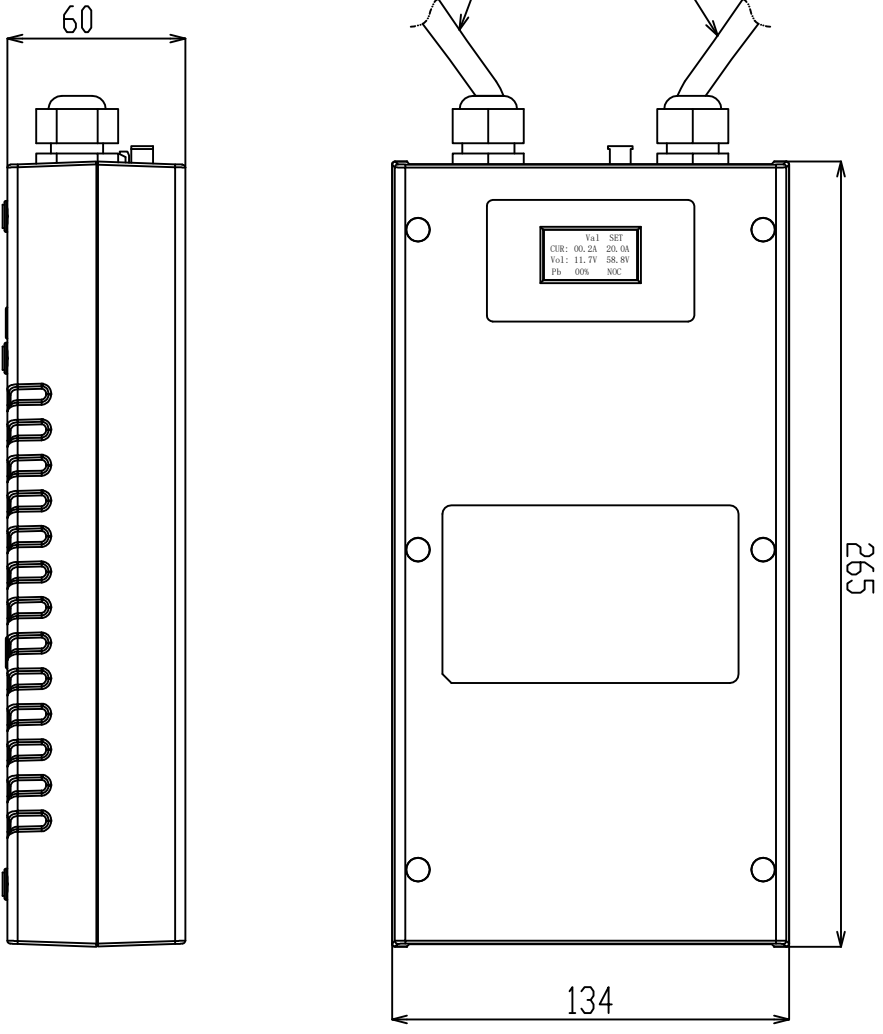
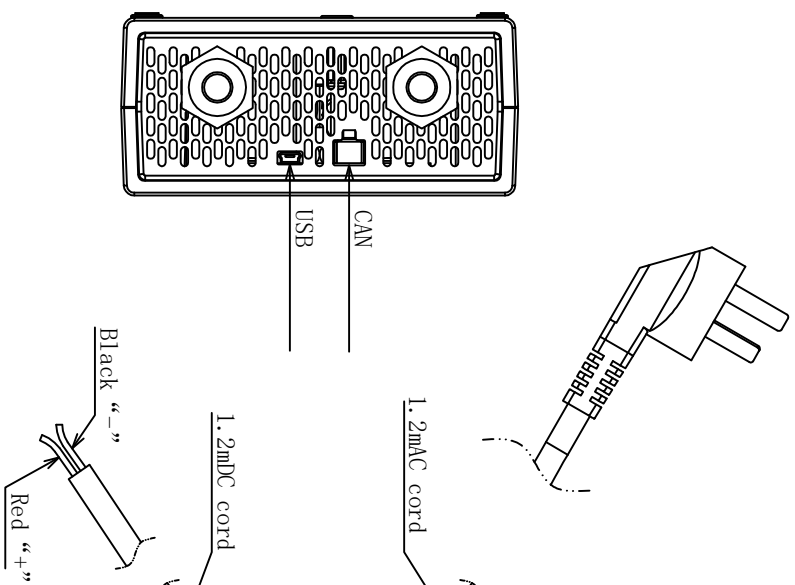




G1200-252360 (25.2V 36.0A) 6S Li-ion Battery Charger		
Item	Specification	Remark
1.Input		
Rating input voltage	100~240Vac 50/60Hz	
Input voltage range	90~264Vac	
Rating input current	13.0Arms	Input:100V Output:Full load
PF value	≥0.96	
Standby input power	≤4W	
Max input power	986W	Input:100V Output:Full load
2.Output		
No load output voltage	<10V	
Output voltage range	DC15.0~25.2V	
Unit with battery type	6S Li-ion battery	
Charging current	36.0A ±10%	
Charging voltage	DC25.2V ±1%	
Pre-charge	7.2A ±10%	The voltage ≤18.0V Pre-charge
Charge-end current	≤3.6A±20%	
Timer	-	
Max output power	907.2W	
Ripple voltage	≤252mV	Full load
LCD	Display voltage,current,capacity	
Communication function	USB / CAN / RS 485	The battery type (lead acid, lithium battery,LiFePO4 battery), charging voltage and charging current can be set.
Shorted	Yes	
Reversed	Yes	
Efficiency	≥92%	Full load @220V
3.Environment		
Operate temperature	-10 ~ +40℃	
Operate humidity	< +90%	Relative humidity
Storage temperature	-40 ~ +70℃	
Storage humidity	0 ~ +95%	Relative humidity
Cooling	Fan	
Vibration resistance	5MM/50HZ/600S	Non-operating condition
Impact resistance	-	Non-operating condition
4.Mechanical		
Weight	2.5Kg	
Size	265X134X60MM	Casing only
Connector	Refer to order	
5.Safety		
Max. temperature rise	< 40℃ on casing	
Safety approval	CE cTUVus CB	
MTBF	30000H	
ESD	8.0KV	
Hi-Pot Insulation	i/p to o/p: 3000V (1 min)	

CUSTOMER REV	REV	ZONE	DESCRIPTION	CHA BY/DATE	APP BY/DATE



SHENZHEN GREEN DIGITAL POWER TECH CO., LTD					
TITLE:			MATERIAL:		
MODEL:			G1200-XXXXXX		
DES BY:			CAD FILE:		
CHECK BY:			COLOR:		
APP BY:			FINISH/TREATMENT:		
PART NO:			UNIT : mm		
CUSTOMER P/N:			Paper Size: A4		
			SCALE: 1:1		
			DATE:		