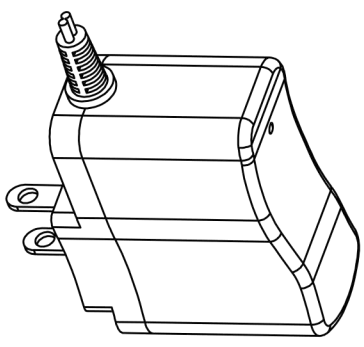
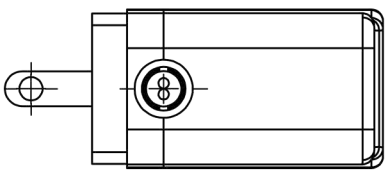
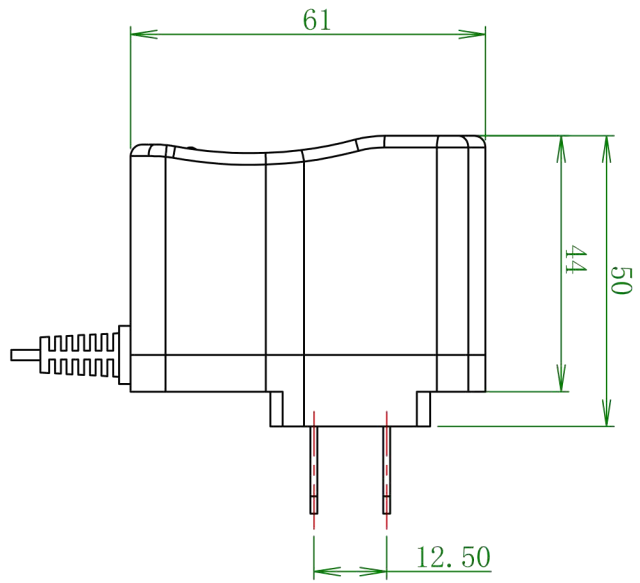
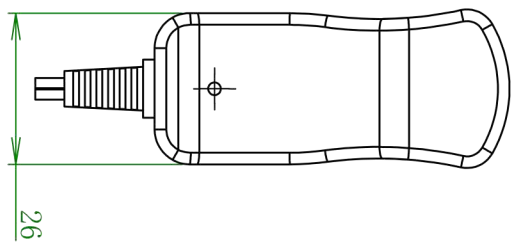




| 3PL0512S (12.6V 0.35A) 3S Li-ion Battery Charger | | |
|--|--------------------------------|-------------------------------|
| 项目 Item | 规格 Specification | 备注 Remark |
| 1.输入特性 Input | | |
| 额定输入电压 Rating input voltage | 100~240Vac 50/60Hz | |
| 输入电压范围 Input voltage range | 90~264Vac | |
| 额定输入电流 Rating input current | 0.1Arms | Input:100V Output:Full load |
| 最大输入功率 Max input power | 6.5W | Input:100V Output:Full load |
| 2.输出特性 Output | | |
| 空载输出电压 No load output voltage | DC12.6V | |
| 输出电压范围 Output voltage range | DC7.5~12.6V | |
| 适用电池 Suit with battery type | 3S Li-ion battery | |
| 恒定电流 Charging current | 0.35A ±10% | |
| 恒定电压 Charging voltage | DC12.6V ±0.15V | |
| 充电结束电流 Charge-end current | 0.03-0.05A | |
| 定时器 Timer | - | |
| 最大输出功率 Max output power | 4.41W | |
| 纹波电压 Ripple voltage | ≤126mV | 满载 Full load |
| 充电指示灯 Charging LED | 红色Red:Charging | |
| | 绿色Green:Full charge or idle | |
| 输出短路保护 Shorted | 有Yes | |
| 输出反接保护 Reversed | - | |
| 效率 Efficiency | ≥70% | 满载 Full load @220V |
| 3.环境要求 Environment | | |
| 工作温度 Operate temperature | -10 ~ +40°C | |
| 工作湿度 Operate humidity | < +90% | 相对湿度 Relative humidity |
| 存储温度 Storage temperature | -40 ~ +70°C | |
| 存储湿度 Storage humidity | 0 ~ +95% | 相对湿度 Relative humidity |
| 冷却方式 Cooling | 自然冷却 Natural | |
| 抗振动 Vibration resistance | 5MM/50HZ/600S | 非运行状况 Non-operating condition |
| 抗冲击 Impact resistance | 1 meter drop test 3 times | 非运行状况 Non-operating condition |
| 4.结构 Mechanical | | |
| 重量 Weight | 85g | |
| 尺寸 Size | 61X26X50MM(US),61X26X62MM(VDE) | 外壳尺寸Casing only |
| 接线端子 Connector | 按客户要求制定 Refer to order | |
| 5.安全特性 Safety | | |
| 最大温升 Max. temperature rise | < 40°C on casing | |
| 安全认证 Safety approval | CE | |
| 平均无故障时间 MTBF | 30000H | |
| 静电等级 ESD | 8.0KV | |
| 隔离耐电压 Hi-Pot Insulation | i/p to o/p: 3000V (1 min) | |

| CUSTOMER REV | REV | ZONE | DESCRIPTION | CHA BY/DATE | APP BY/DATE |
|--------------|-----|------|-------------|-------------|-------------|
| | | | | | |

| TOLERANCE FOR INJECT PARTS | |
|----------------------------|---------------------|
| DIVISION DIMENSION | TOLERANCE (CLASS 5) |
| -10 | ± 0.10 |
| 10-30 | ± 0.15 |
| 30-50 | ± 0.20 |
| 50-75 | ± 0.25 |
| 75-100 | ± 0.30 |
| 100-125 | ± 0.35 |
| 125-150 | ± 0.40 |
| 150-175 | ± 0.45 |
| 175-200 | ± 0.50 |
| 200-250 | ± 0.60 |
| 250-315 | ± 0.70 |
| 315-355 | ± 0.80 |
| 355-400 | ± 0.90 |
| 400-450 | ± 1.00 |
| 450-500 | ± 1.10 |



深圳市谷润数字电源有限公司

| | | | |
|-----------|-------------------|---------------|--------|
| TITLE: | | MATT: | |
| MODEL: | | WEIGHT: | |
| DES BY: | CAD FILE: | TEXTURE NO. | |
| CHECK BY: | COLOR: | Paper Size:A4 | SCALE: |
| APP BY: | FINISH/TREATMENT: | | DATE: |
| PART NO.: | CUSTOMER P/N: | | |

5W

1t