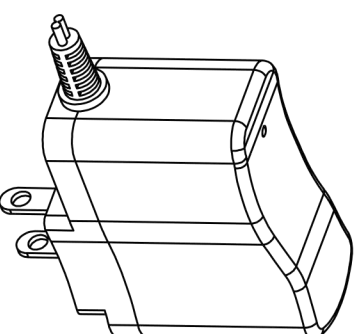
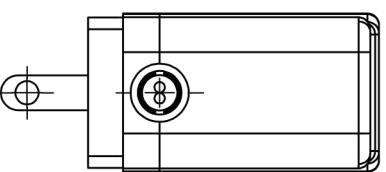
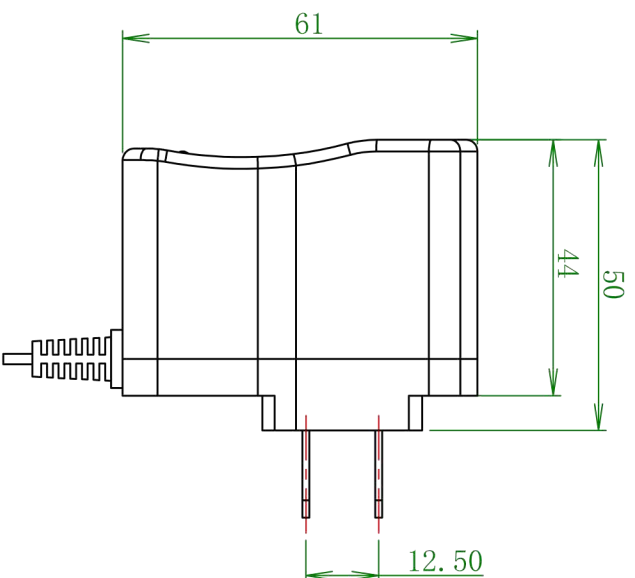
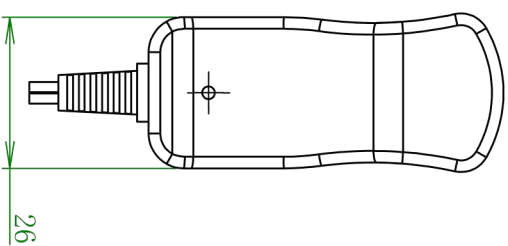




| 3PL0508S (8.4V 0.5A) 2S Li-ion Battery Charger |                                |                               |
|--|--------------------------------|-------------------------------|
| 项目 Item  | 规格 Specification               | 备注 Remark                     |
| <b>1.输入特性 Input</b>                            |                                |                               |
| 额定输入电压 Rating input voltage                    | 100~240Vac 50/60Hz             |                               |
| 输入电压范围 Input voltage range                     | 90~264Vac                      |                               |
| 额定输入电流 Rating input current                    | 0.1Arms                        | Input:100V Output:Full load   |
| 最大输入功率 Max input power                         | 6.5W                           | Input:100V Output:Full load   |
| <b>2.输出特性 Output</b>                           |                                |                               |
| 空载输出电压 No load output voltage                  | DC8.4V                         |                               |
| 输出电压范围 Output voltage range                    | DC5.0~8.4V                     |                               |
| 适用电池 Suit with battery type                    | 2S Li-ion battery              |                               |
| 恒定电流 Charging current                          | 0.5A ±10%                      |                               |
| 恒定电压 Charging voltage                          | DC8.4V ±0.1V                   |                               |
| 充电结束电流 Charge-end current                      | 0.03-0.09A                     |                               |
| 定时器 Timer                                      | -                              |                               |
| 最大输出功率 Max output power                        | 4.2W                           |                               |
| 纹波电压 Ripple voltage                            | ≤84mV                          | 满载 Full load                  |
| 充电指示灯 Charging LED                             | 红色Red:Charging                 |                               |
|  | 绿色Green:Full charge or idle    |                               |
| 输出短路保护 Shorted                                 | 有Yes                           |                               |
| 输出反接保护 Reversed                                | -                              |                               |
| 效率 Efficiency                                  | ≥65%                           | 满载 Full load @220V            |
| <b>3.环境要求 Environment</b>                      |                                |                               |
| 工作温度 Operate temperature                       | -10 ~ +40°C                    |                               |
| 工作湿度 Operate humidity                          | < +90%                         | 相对湿度 Relative humidity        |
| 存储温度 Storage temperature                       | -40 ~ +70°C                    |                               |
| 存储湿度 Storage humidity                          | 0 ~ +95%                       | 相对湿度 Relative humidity        |
| 冷却方式 Cooling                                   | 自然冷却 Natural                   |                               |
| 抗振动 Vibration resistance                       | 5MM/50HZ/600S                  | 非运行状况 Non-operating condition |
| 抗冲击 Impact resistance                          | 1 meter drop test 3 times      | 非运行状况 Non-operating condition |
| <b>4.结构 Mechanical</b>                         |                                |                               |
| 重量 Weight                                      | 85g                            |                               |
| 尺寸 Size  | 61X26X50MM(US),61X26X62MM(VDE) | 外壳尺寸Casing only               |
| 接线端子 Connector                                 | 按客户要求制定 Refer to order         |                               |
| <b>5.安全特性 Safety</b>                           |                                |                               |
| 最大温升 Max. temperature rise                     | < 40°C on casing               |                               |
| 安全认证 Safety approval                           | CE                             |                               |
| 平均无故障时间 MTBF                                   | 30000H                         |                               |
| 静电等级 ESD                                       | 8.0KV                          |                               |
| 隔离耐电压 Hi-Pot Insulation                        | i/p to o/p: 3000V (1 min)      |                               |

| CUSTOMER REV | REV | ZONE | DESCRIPTION | CHA BY/DATE | APP BY/DATE |
|--------------|-----|------|-------------|-------------|-------------|
|              |     |      |             |             |             |

| TOLERANCE FOR INJECT PARTS |                     |
|----------------------------|---------------------|
| DIVISION DIMENSION         | TOLERANCE (CLASS 5) |
| -10                        | ± 0.10              |
| 10-30                      | ± 0.15              |
| 30-50                      | ± 0.20              |
| 50-75                      | ± 0.25              |
| 75-100                     | ± 0.30              |
| 100-125                    | ± 0.35              |
| 125-150                    | ± 0.40              |
| 150-175                    | ± 0.45              |
| 175-200                    | ± 0.50              |
| 200-250                    | ± 0.60              |
| 250-315                    | ± 0.70              |
| 315-355                    | ± 0.80              |
| 355-400                    | ± 0.90              |
| 400-450                    | ± 1.00              |
| 450-500                    | ± 1.10              |



深圳市谷润数字电源有限公司

TITLE: **5W**      MATL:      WEIGHT:

MODEL:      CAD FILE:      UNIT: mm      TEXTURE NO.

DES BY:      CHECK BY:      COLOR:      Paper Size:A4      SCALE: **1:1**

APP BY:      FINISH/TREATMENT:      DATE:

PART NO.:  
CUSTOMER P/N:

1 2 3 4 5 6 7 8 9 10