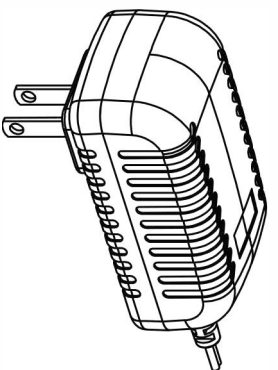
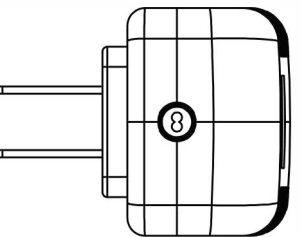
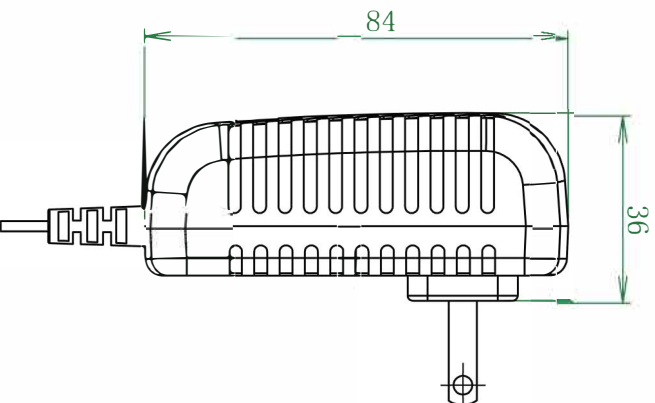
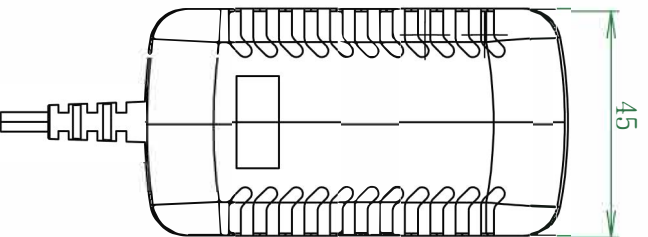




<b>P2012-L4 (16.8V 1.3A) 4S Li-ion Battery Charger</b>		
<b>Item</b>	<b>Specification</b>	<b>Remark</b>
<b>1.Input</b>		
Rating input voltage	100~240Vac 50/60Hz	
Input voltage range	90~264Vac	
Rating input current	0.5Arms	Input:100V Output:Full load
Max input power	25W	Input:100V Output:Full load
<b>2.Output</b>		
No load output voltage	DC16.8V	
Output voltage range	DC10.0~16.8V	
Suit with battery type	4S Li-ion battery	
Charging current	1.3A $\pm$ 10%	
Charging voltage	DC16.8V $\pm$ 0.2V	
Charge-end current	0.09~0.15A	
Timer	-	
Max output power	21.84W	
Ripple voltage	$\leq$ 168mV	Full load
Charging LED	Red:Charging	
	Green:Full charge or idle	
Shorted	Yes	
Reversed	-	
Efficiency	$\geq$ 80%	Full load @220V
<b>3.Environment</b>		
Operate temperature	-10 ~ +40°C	
Operate humidity	< +90%	Relative humidity
Storage temperature	-40 ~ +70°C	
Storage humidity	0 ~ +95%	Relative humidity
Cooling	Natural	
Vibration resistance	5MM/50HZ/600S	Non-operating condition
Impact resistance	1 meter drop test 3 times	Non-operating condition
<b>4.Mechanical</b>		
Weight	120g	
Size	84X45X36mm(US),84X45X50mm(VDE)	Casing only
Connector	Refer to order	
<b>5.Safety</b>		
Max. temperature rise	< 40°C on casing	
Safety approval	CE/cTUVus/PSE/CCC	
MTBF	30000H	
ESD	8.0KV	
Hi-Pot Insulation	i/p to o/p: 3000V (1 min)	

CUSTOMER REV	REV	ZONE	DESCRIPTION	CHA BY/DATE	APP BY/DATE

TOLERANCE FOR INJECT PARTS	
DIVISION DIMENSION	TOLERANCE (CLASS 5)
-10	± 0.10
10-30	± 0.15
30-50	± 0.20
50-75	± 0.25
75-100	± 0.30
100-125	± 0.35
125-150	± 0.40
150-175	± 0.45
175-200	± 0.50
200-250	± 0.60
250-315	± 0.70
315-355	± 0.80
355-400	± 0.90
400-450	± 1.00
450-500	± 1.10



Shenzhen Green Digital Power-Tech CO.,LTD

TITLE:	MODEL:		CAD FILE:	UNIT: mm	MATERIAL:
DES BY:	20W				WEIGHT:
CHECK BY:	COLOR:				TEXTURE:
APP BY:	FINISH/TREATMENT:				NO
CUSTOMER P/N:	PART NO.:				Paper Size:A4
	CUSTOMER P/N:				SCALE: 1:1
					DATE: