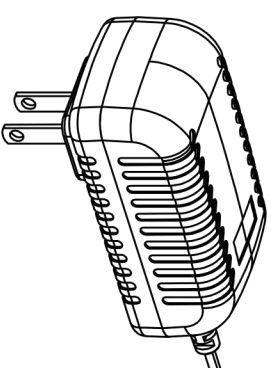
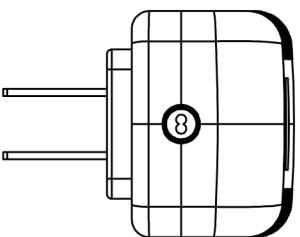
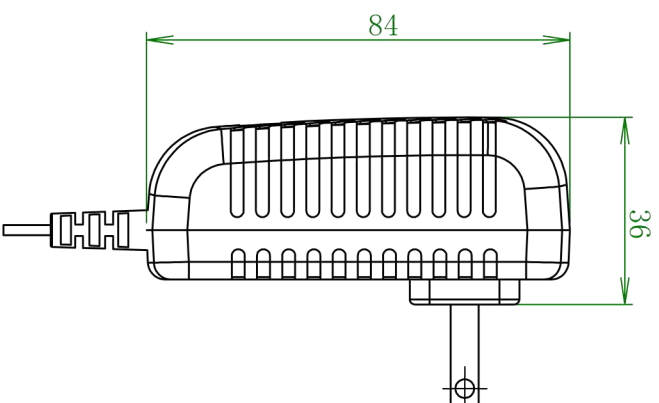
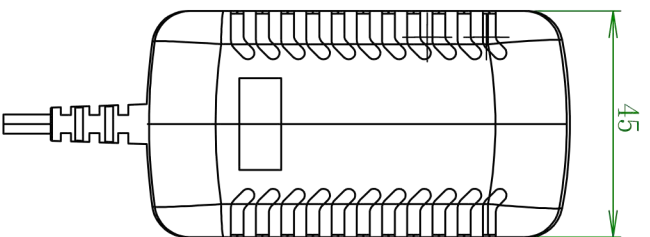




P2012-L3 (12.6V 1.5A) 3S Li-ion Battery Charger		
项目 Item	规格 Specification	备注 Remark
1.输入特性 Input		
额定输入电压 Rating input voltage	100~240Vac 50/60Hz	
输入电压范围 Input voltage range	90~264Vac	
额定输入电流 Rating input current	0.5Arms	Input:100V Output:Full load
最大输入功率 Max input power	24W	Input:100V Output:Full load
2.输出特性 Output		
空载输出电压 No load output voltage	DC12.6V	
输出电压范围 Output voltage range	DC7.5~12.6V	
适用电池 Suit with battery type	3S Li-ion battery	
恒定电流 Charging current	1.5A ±10%	
恒定电压 Charging voltage	DC12.6V ±0.15V	
充电结束电流 Charge-end current	0.1~0.16A	
定时器 Timer	-	
最大输出功率 Max output power	18.9W	
纹波电压 Ripple voltage	≤126mV	满载 Full load
充电指示灯 Charging LED	红色Red:Charging	
	绿色Green:Full charge or idle	
输出短路保护 Shorted	有Yes	
输出反接保护 Reversed	有Yes	
效率 Efficiency	≥80%	满载 Full load @220V
3.环境要求 Environment		
工作温度 Operate temperature	-10 ~ +40°C	
工作湿度 Operate humidity	< +90%	相对湿度 Relative humidity
存储温度 Storage temperature	-40 ~ +70°C	
存储湿度 Storage humidity	0 ~ +95%	相对湿度 Relative humidity
冷却方式 Cooling	自然冷却 Natural	
抗振动 Vibration resistance	5MM/50HZ/600S	非运行状况 Non-operating condition
抗冲击 Impact resistance	1 meter drop test 3 times	非运行状况 Non-operating condition
4.结构 Mechanical		
重量 Weight	120g	
尺寸 Size	84X45X36mm(US),84X45X50mm(VDE)	外壳尺寸Casing only
接线端子 Connector	按客户要求制定 Refer to order	
5.安全特性 Safety		
最大温升 Max. temperature rise	< 40°C on casing	
安全认证 Safety approval	CE/cTUVus/PSE/CCC	
平均无故障时间 MTBF	30000H	
静电等级 ESD	8.0KV	
隔离耐电压 Hi-Pot Insulation	i/p to o/p: 3000V (1 min)	

CUSTOMER REV	REV	ZONE	DESCRIPTION	CHA BY/DATE	APP BY/DATE

TOLERANCE FOR INJECT PARTS	
DIVISION DIMENSION	TOLERANCE (CLASS 5)
-10	± 0.10
10-30	± 0.15
30-50	± 0.20
50-75	± 0.25
75-100	± 0.30
100-125	± 0.35
125-150	± 0.40
150-175	± 0.45
175-200	± 0.50
200-250	± 0.60
250-315	± 0.70
315-355	± 0.80
355-400	± 0.90
400-450	± 1.00
450-500	± 1.10



深圳市谷润数字电源有限公司

TITLE:		MATT:	
MODEL:		WEIGHT:	
DES BY:	CAD FILE:	TEXTURE NO.	
CHECK BY:	COLOR:	Paper Size:A4	SCALE:
APP BY:	FINISH/TREATMENT:		DATE:

PART NO.:	
CUSTOMER P/N:	

20W

1:1