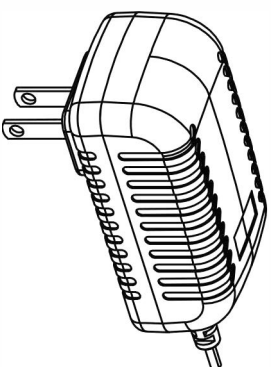
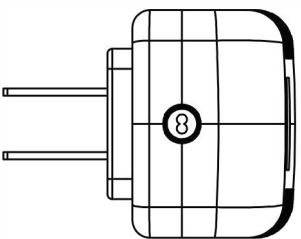
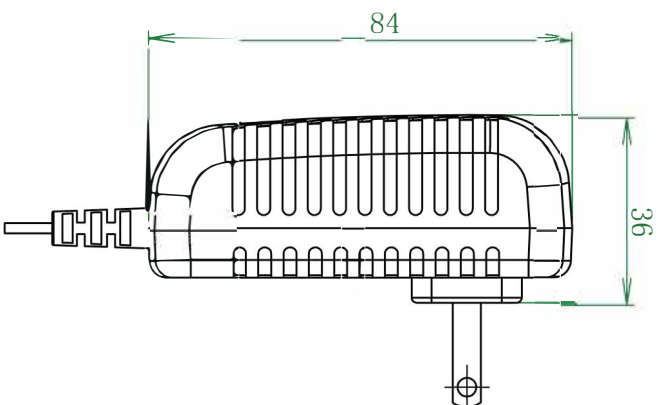
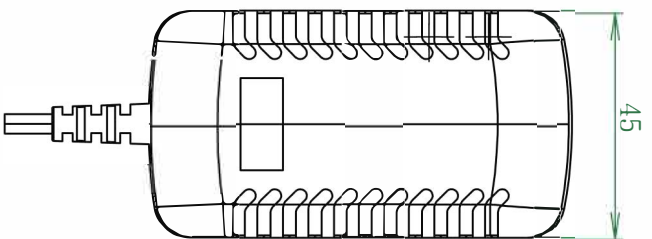


**P2012-F4 (14.4V 1.3A) 4S Li-Fe Battery Charger**

| Item                   | Specification                  | Remark                      |
|------------------------|--------------------------------|-----------------------------|
| <b>1.Input</b>         |                                |                             |
| Rating input voltage   | 100~240Vac 50/60Hz             |                             |
| Input voltage range    | 90~264Vac                      |                             |
| Rating input current   | 0.5Arms                        | Input:100V Output:Full load |
| Max input power        | 24W                            | Input:100V Output:Full load |
| <b>2.Output</b>        |                                |                             |
| No load output voltage | DC14.4V                        |                             |
| Output voltage range   | DC10.0~14.4V                   |                             |
| Suit with battery type | 4S Li-Fe battery               |                             |
| Charging current       | 1.3A $\pm$ 10%                 |                             |
| Charging voltage       | DC14.4V $\pm$ 0.2V             |                             |
| Charge-end current     | 0.08~0.16A                     |                             |
| Timer                  | -                              |                             |
| Max output power       | 18.72W                         |                             |
| Ripple voltage         | $\leq$ 144mV                   | Full load                   |
| Charging LED           | Red:Charging                   |                             |
|                        | Green:Full charge or idle      |                             |
| Shorted                | Yes                            |                             |
| Reversed               | Yes                            |                             |
| Efficiency             | $\geq$ 80%                     | Full load @220V             |
| <b>3.Environment</b>   |                                |                             |
| Operate temperature    | -10 ~ +40°C                    |                             |
| Operate humidity       | < +90%                         | Relative humidity           |
| Storage temperature    | -40 ~ +70°C                    |                             |
| Storage humidity       | 0 ~ +95%                       | Relative humidity           |
| Cooling                | Natural                        |                             |
| Vibration resistance   | 5MM/50HZ/600S                  | Non-operating condition     |
| Impact resistance      | 1 meter drop test 3 times      | Non-operating condition     |
| <b>4.Mechanical</b>    |                                |                             |
| Weight                 | 120g                           |                             |
| Size                   | 84X45X36mm(US),84X45X50mm(VDE) | Casing only                 |
| Connector              | Refer to order                 |                             |
| <b>5.Safety</b>        |                                |                             |
| Max. temperature rise  | < 40°C on casing               |                             |
| Safety approval        | CE/cTUVus/PSE/CCC              |                             |
| MTBF                   | 30000H                         |                             |
| ESD                    | 8.0KV                          |                             |
| Hi-Pot Insulation      | i/p to o/p: 3000V (1 min)      |                             |

| CUSTOMER REV | REV | ZONE | DESCRIPTION | CHA BY/DATE | APP BY/DATE |
|--------------|-----|------|-------------|-------------|-------------|
|              |     |      |             |             |             |

| TOLERANCE FOR INJECT PARTS |                     |
|----------------------------|---------------------|
| DIVISION DIMENSION         | TOLERANCE (CLASS 5) |
| -10                        | ± 0.10              |
| 10-30                      | ± 0.15              |
| 30-50                      | ± 0.20              |
| 50-75                      | ± 0.25              |
| 75-100                     | ± 0.30              |
| 100-125                    | ± 0.35              |
| 125-150                    | ± 0.40              |
| 150-175                    | ± 0.45              |
| 175-200                    | ± 0.50              |
| 200-250                    | ± 0.60              |
| 250-315                    | ± 0.70              |
| 315-355                    | ± 0.80              |
| 355-400                    | ± 0.90              |
| 400-450                    | ± 1.00              |
| 450-500                    | ± 1.10              |



**Shenzhen Green Digital Power-Tech CO.,LTD**

|               |                   |                |
|---------------|-------------------|----------------|
| TITLE:        | MATTL:            |                |
| MODEL:        | 20W               |                |
| DES BY:       | CAD FILE:         | UNIT: mm       |
| CHECK BY:     | COLOR:            | Paper Size: A4 |
| CUSTOMER P/N: | FINISH/TREATMENT: | SCALE: Ft      |
|               |                   | DATE:          |