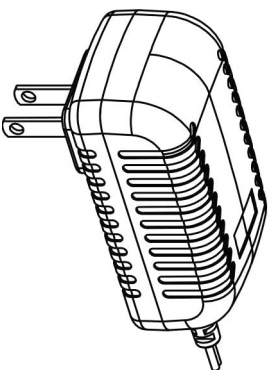
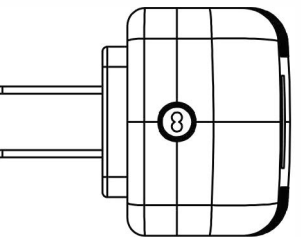
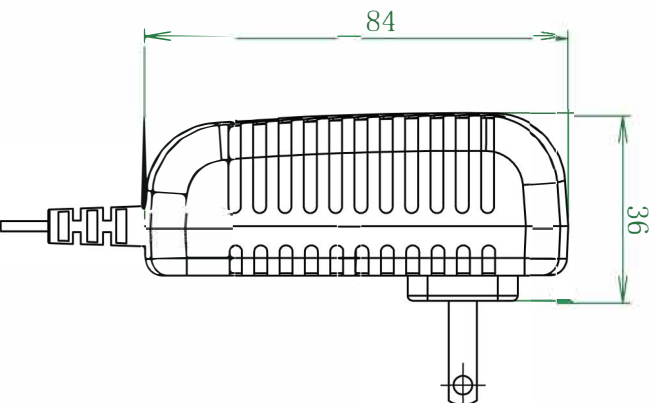
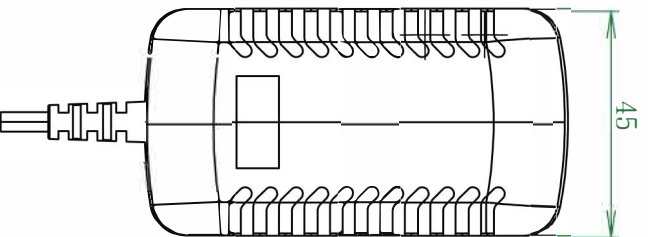


**P2012-F2 (7.6V 2.0A) 2S Li-Fe Battery Charger**

Item	Specification	Remark
1.Input		
Rating input voltage	100~240Vac 50/60Hz	
Input voltage range	90~264Vac	
Rating input current	0.5Arms	Input:100V Output:Full load
Max input power	22W	Input:100V Output:Full load
2.Output		
No load output voltage	DC7.2V	
Output voltage range	DC5.0~7.2V	
Suit with battery type	2S Li-Fe battery	
Charging current	2.0A ±10%	
Charging voltage	DC7.2V ±0.1V	
Charge-end current	0.12~0.2A	
Timer	-	
Max output power	14.4W	
Ripple voltage	≤72mV	Full load
Charging LED	Red:Charging	
	Green:Full charge or idle	
Shorted	Yes	
Reversed	Yes	
Efficiency	≥78%	Full load @220V
3.Environment		
Operate temperature	-10 ~ +40°C	
Operate humidity	< +90%	Relative humidity
Storage temperature	-40 ~ +70°C	
Storage humidity	0 ~ +95%	Relative humidity
Cooling	Natural	
Vibration resistance	5MM/50HZ/600S	Non-operating condition
Impact resistance	1 meter drop test 3 times	Non-operating condition
4.Mechanical		
Weight	120g	
Size	84X45X36mm(US),84X45X50mm(VDE)	Casing only
Connector	Refer to order	
5.Safety		
Max. temperature rise	< 40°C on casing	
Safety approval	CE/cTUVus/CCC	
MTBF	30000H	
ESD	8.0KV	
Hi-Pot Insulation	i/p to o/p: 3000V (1 min)	

CUSTOMER REV	REV	ZONE	DESCRIPTION	CHA BY/DATE	APP BY/DATE

TOLERANCE FOR INJECT PARTS	
DIVISION DIMENSION	TOLERANCE (CLASS 5)
-10	± 0.10
10-30	± 0.15
30-50	± 0.20
50-75	± 0.25
75-100	± 0.30
100-125	± 0.35
125-150	± 0.40
150-175	± 0.45
175-200	± 0.50
200-250	± 0.60
250-315	± 0.70
315-355	± 0.80
355-400	± 0.90
400-450	± 1.00
450-500	± 1.10



Shenzhen Green Digital Power-Tech CO.,LTD

TITLE:	MATTL:	
MODEL:	20W	
DES BY:	CAD FILE:	UNIT: mm
CHECK BY:	COLOR:	Paper Size: A4
CUSTOMER P/N:	FINISH/TREATMENT:	SCALE: Ft
		DATE: