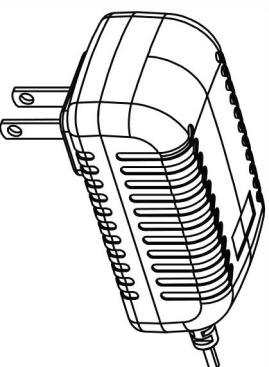
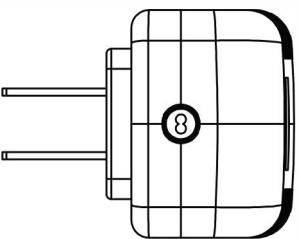
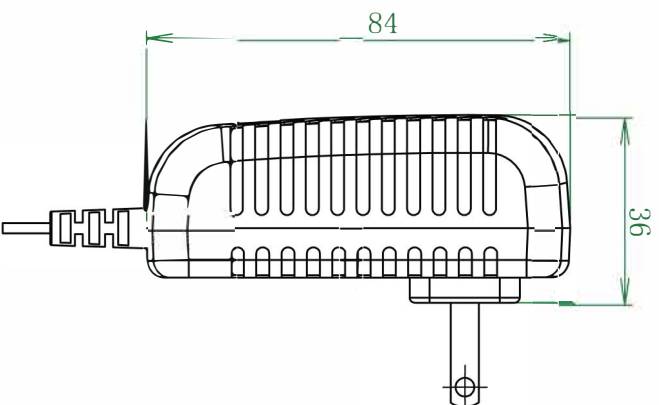
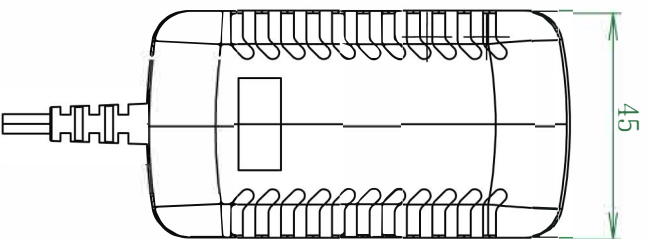




P2012-A12 (13.8V 1.5A) Pb-Acid Battery Charger		
Item	Specification	Remark
1.Input		
Rating input voltage	100~240Vac 50/60Hz	
Input voltage range	90~264Vac	
Rating input current	0.5Arms	Input:100V Output:Full load
Max input power	25W	Input:100V Output:Full load
2.Output		
No load output voltage	DC13.8V	
Output voltage range	DC10.0~13.8V	
Suit with battery type	12V Pb-Acid battery	
Charging current	1.5A ±10%	
Charging voltage CV (H)	DC14.7V ±0.3V	
Floating charge voltage CV (L)	DC13.8V ±0.2V	
Charge-end current	0.2~0.3A	
Timer	-	
Max output power	20.7W	
Ripple voltage	≤138mV	Full load
Charging LED	Red:Charging	
	Green:Full charge or idle	
Shorted	Yes	
Reversed	Yes	
Efficiency	≥79%	Full load @220V
3.Environment		
Operate temperature	-10 ~ +40°C	
Operate humidity	< +90%	Relative humidity
Storage temperature	-40 ~ +70°C	
Storage humidity	0 ~ +95%	Relative humidity
Cooling	Natural	
Vibration resistance	5MM/50HZ/600S	Non-operating condition
Impact resistance	1 meter drop test 3 times	Non-operating condition
4.Mechanical		
Weight	120g	
Size	84X45X36mm(US),84X45X50mm(VDE)	Casing only
Connector	Refer to order	
5.Safety		
Max. temperature rise	< 40°C on casing	
Safety approval	CE/cTUVus/PSE/CCC	
MTBF	30000H	
ESD	8.0KV	
Hi-Pot Insulation	i/p to o/p: 3000V (1 min)	

CUSTOMER REV	REV	ZONE	DESCRIPTION	CHA BY/DATE	APP BY/DATE

TOLERANCE FOR INJECT PARTS	
DIVISION DIMENSION	TOLERANCE (CLASS 5)
-10	± 0.10
10-30	± 0.15
30-50	± 0.20
50-75	± 0.25
75-100	± 0.30
100-125	± 0.35
125-150	± 0.40
150-175	± 0.45
175-200	± 0.50
200-250	± 0.60
250-315	± 0.70
315-355	± 0.80
355-400	± 0.90
400-450	± 1.00
450-500	± 1.10



Shenzhen Green Digital Power-Tech CO.,LTD

TITLE:		MATTL:	
MODEL:		WEIGHT:	
DES BY:	CAD FILE:	UNIT: mm	TEXTURE NO
CHECK BY:	COLOR:	Paper Size:A4	SCALE:
APP BY:	FINISH/TREATMENT:		DATE:
PART NO.:			
CUSTOMER P/N:			

20W

Fi